

### 50 Hz



### Special features on request

- Other voltages.
- Available in three phase.
- Special mechanical shaft seal.
- Higher or lower liquid or ambient temperatures.
- Frequency 60 Hz (as per 60 Hz data sheet).

### Direction of rotation

Clockwise as seen from the motor rear end.

### Construction

- The MXF pumps are non-self priming, horizontal, single-stage, centrifugal pumps.
- Motor and pump are close coupled in a convenient and compact design for quick installation in limited space.
- The pump is fitted with a maintenance-free, mechanical shaft seal.
- The pumps have axial suction port and radial discharge port.

### Applications

- For suitable liquids which are thin, clean, slightly aggressive, non-explosive, not containing solid particles or fibers.
- For water supply systems.
- As pressure boosting pump for central water systems with low pressure (follow local specifications if increasing network pressure).
- For civil and industrial applications.
- For fire fighting applications.
- For irrigation.
- For garden use.

### Operating conditions

Flow range : Up to 15,6 m<sup>3</sup>/h  
 Head range : Up to 61 metres  
 Ambient temperature : Up to 61 metres  
 Liquid temperature range : Max. +50°C  
 Total suction lift : 0°C to +90°C  
 Duty rating : Up to 7,5 metres  
 : Continuous.

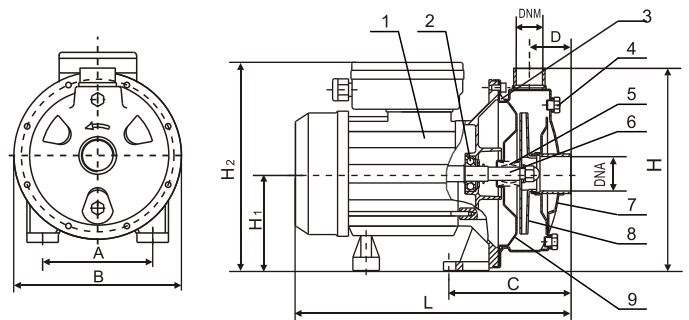
### Motor

The pump is fitted with a Totally Enclosed Fan Cooled, 2-pole induction motor with principal dimensions in accordance with the IEC 60034 standards.

Rated speed : 2900 rpm  
 Enclosure class : IP 44  
 Insulation class : F  
 Standard voltages : 0.37 - 1.5 kW: 1 x 230 V  
 (Tolerance +5% / -15%)  
 Supply frequency : 50 Hz.

Single-phase motors have built-in thermal overload protection. Capacitor inside the terminal box.

### Sectional drawing



- |            |                    |                |
|------------|--------------------|----------------|
| 1. Motor   | 4. Plug            | 7. Pump Casing |
| 2. Bearing | 5. Mechanical Seal | 8. Impeller    |
| 3. O-ring  | 6. Pump Shaft      | 9. Pump Cover  |

Model	Power P <sub>2</sub> (W)	A	B	C	D	H	H <sub>1</sub>	H <sub>2</sub>	L	DNA	DNM
MXF 051	370	100	170	120	50	180	84	196	270	1¼	1
MXF 101	750	140	213	138	47	222	110	242	313	1¼	1
MXF 151	1500	150	234	140	49	240	120	251	337	1¼	1
MXF 201	1850	150	234	140	49	240	120	251	373	1¼	1

### Characteristic Curves

