

# Technical data

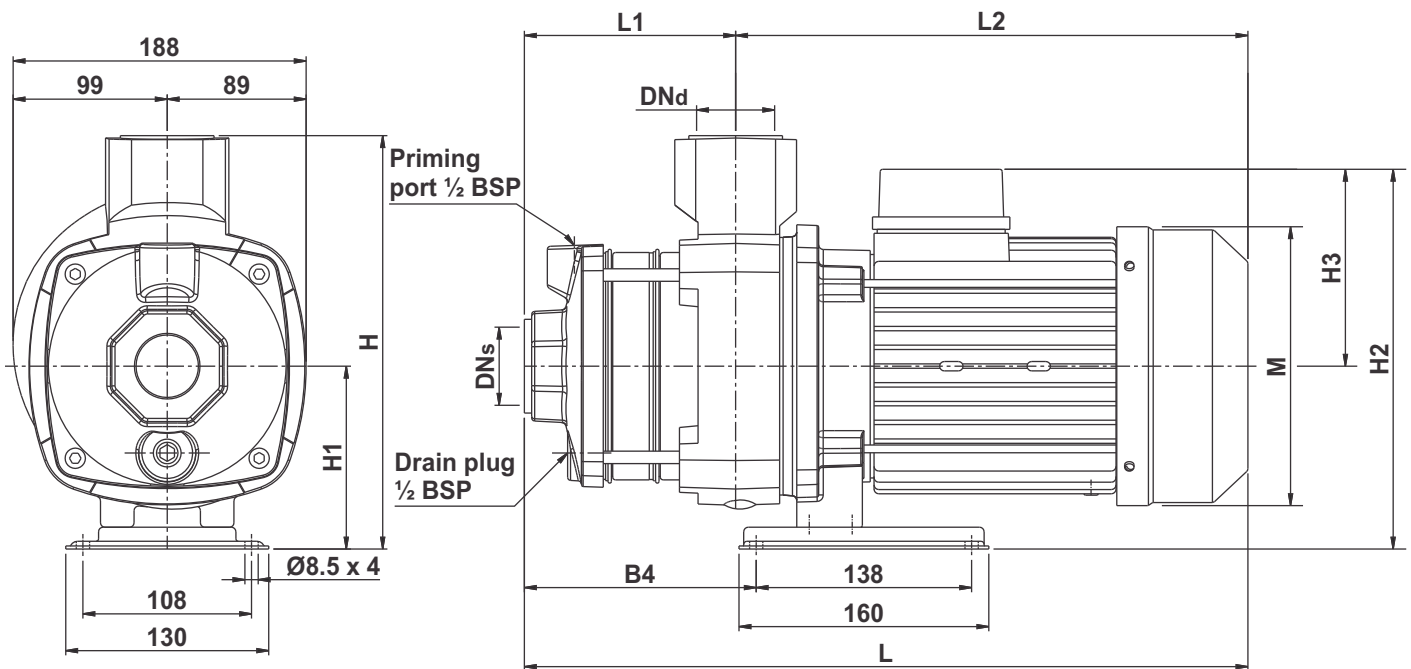
## Horizontal multistage end-suction pumps

## MH, MHI, MHN 25

### Performance chart

Pump type	kW	HP	Voltage [V]		Q l/min m <sup>3</sup> /h	n = 2900 rpm					
			Single phase	Three phase		166.7	233.3	300.0	366.7	416.7	466.7
						10	14	18	22	25	28
MH, MHI, MHN 25-10	2.20	3.00	230	400	H mts.	16.5	16.0	15.5	15.0	13.0	11.5
MH, MHI, MHN 25-20	4.00	5.50	-	400		33.5	33.0	32.5	31.0	28.5	26.0
MH, MHI, MHN 25-30	5.50	7.50	-	400		49.5	49.0	48.5	46.5	43.0	38.0
MH, MHI, MHN 25-40	7.50	10.00	-	400		66.5	66.0	65.0	62.0	57.5	52.0

### Dimensional sketches



### Dimensions & weights of MH, MHI, MHN pump

Pump type	Frame size	DNs BSP	DNd BSP	Dimensions [mm]									Net weight [kg]	Gross weight [kg]	Gross volume [m <sup>3</sup> ]
				H	H1	H2	H3	B4	L	L1	L2	M			
MH, MHI, MHN 25-10	90	2"	2"	261	116	242	126	84	399	71	328	179	29.50	32.5	0.101
MH, MHI, MHN 25-20	112	2"	2"	271	125	274	195	114	509	97	412	219	45.00	55.0	0.151
MH, MHI, MHN 25-30	132	2"	2"	291	145	325	180	144	623	128	496	262	62.60	103.0	0.236
MH, MHI, MHN 25-40	132	2"	2"	291	145	325	180	175	654	158	496	262	67.19	106.0	0.247

# Performance curves

Horizontal multistage end-suction pumps

## MH, MHI, MHN 25

