

# Technical data

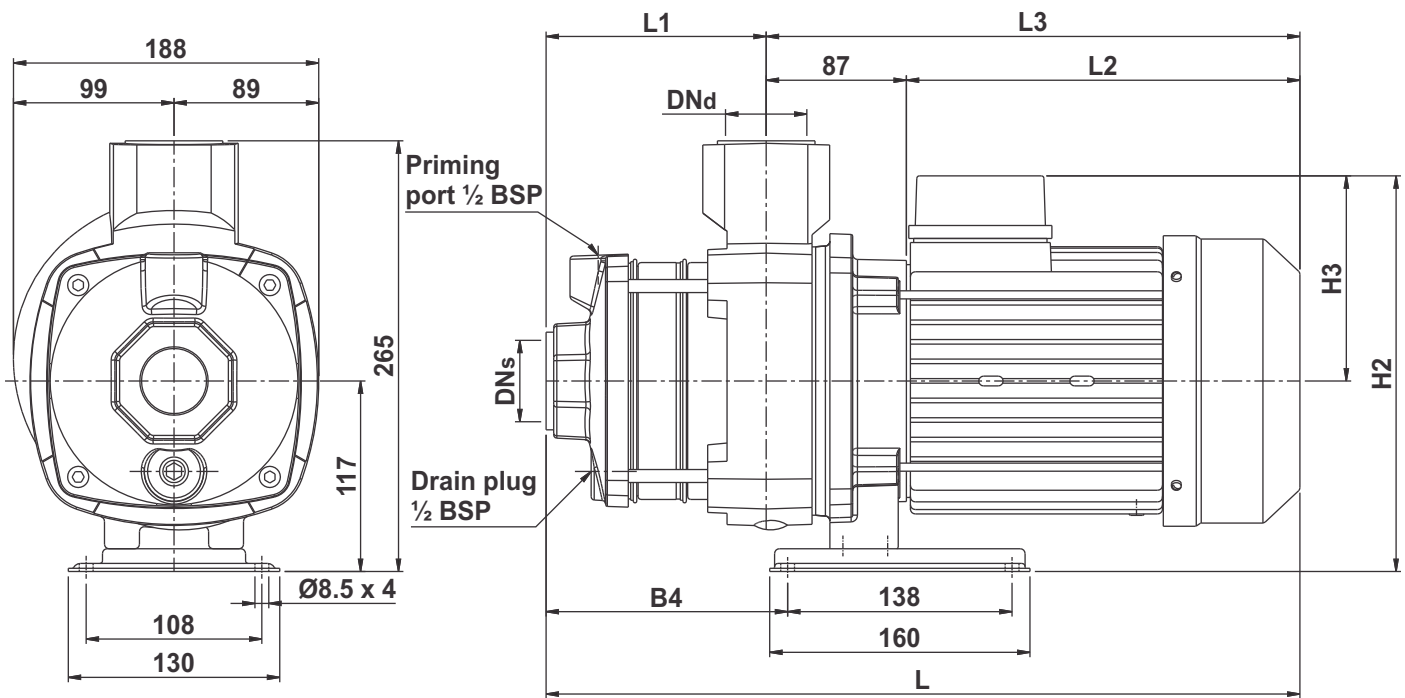
## Horizontal multistage end-suction pumps

## MH, MHI, MHN 10

### Performance chart

Pump type	kW	HP	Voltage [V]		Q l/min m <sup>3</sup> /h	n = 2900 rpm					
			Single phase	Three phase		116.7	150.0	166.7	183.3	200.0	250.0
						7.0	9.0	10.0	11.0	12.0	15.0
MH, MHI, MHN 10-10	0.55	0.75	230	400	H mts.	13	12	11	10	9	6
MH, MHI, MHN 10-20	1.10	1.50	230	400		28	26	25	23	21	15
MH, MHI, MHN 10-30	2.20	3.00	230	400		44	40	38	36	33	24
MH, MHI, MHN 10-40	3.70	5.00	230	400		58	54	52	49	45	33
MH, MHI, MHN 10-50	3.70	5.00	230	400		74	69	66	62	57	41

### Dimensional sketches



### Dimensions & weights of MH, MHI, MHN pump

Pump type	Frame size	DNs BSP	DNd BSP	Dimensions [mm]							Net weight [kg]	Gross weight [kg]	Gross volume [m <sup>3</sup> ]
				H2	H3	B4	L	L1	L2	L3			
MH, MHI, MHN 10-10	71	1½"	1½"	222	105	88	382	75	184	270	22.0	24.5	0.0210
MH, MHI, MHN 10-20	90	1½"	1½"	253	136	118	412	105	221	307	26.0	28.5	0.0220
MH, MHI, MHN 10-30	90	1½"	1½"	243	126	149	464	136	242	329	37.0	39.5	0.0250
MH, MHI, MHN 10-40	100	1½"	1½"	256	139	179	538	166	258	372	40.0	42.5	0.0290
MH, MHI, MHN 10-50	100	1½"	1½"	256	139	210	568	197	258	372	41.0	43.5	0.0310

# Performance curves

Horizontal multistage end-suction pumps

MH, MHI, MHN 10

