

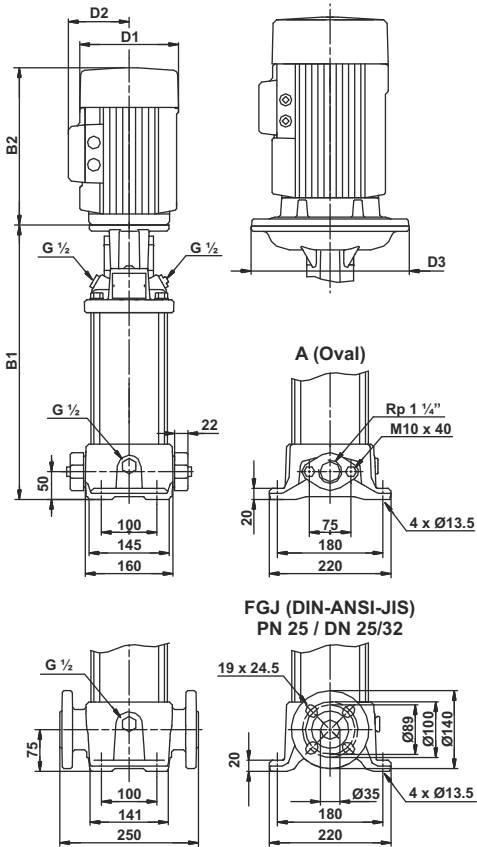
# Technical Data

Vertical multistage centrifugal pumps

# LCR 4

Performance Chart

Pump Type	H.P.	kW	Q l/min m <sup>3</sup> /h	n = 2900 rpm					
				31.7	56.7	75.0	95.0	113.3	131.7
				1.9	3.4	4.5	5.7	6.8	7.9
LCR 4/2	0.50	0.37	H mts.	18	16	14	12	9	5
LCR 4/3	0.75	0.55		28	25	23	19	15	10
LCR 4/4	1.00	0.75		38	34	30	26	21	14
LCR 4/5	1.50	1.10		48	44	39	34	26	17
LCR 4/6	1.50	1.10		56	50	45	39	30	21
LCR 4/7	2.00	1.50		66	60	54	47	37	26
LCR 4/8	2.00	1.50		75	67	61	52	42	28
LCR 4/10	3.00	2.20		95	87	78	67	54	37
LCR 4/12	3.00	2.20		111	101	91	79	63	43
LCR 4/14	4.00	3.00		132	121	110	95	76	52
LCR 4/16	4.00	3.00		151	137	123	106	85	57
LCR 4/19	5.50	4.00		180	165	149	129	104	72
LCR 4/22	5.50	4.00	207	188	171	148	118	81	



FGJ (DIN-ANSI-JIS)  
PN 25 / DN 25/32

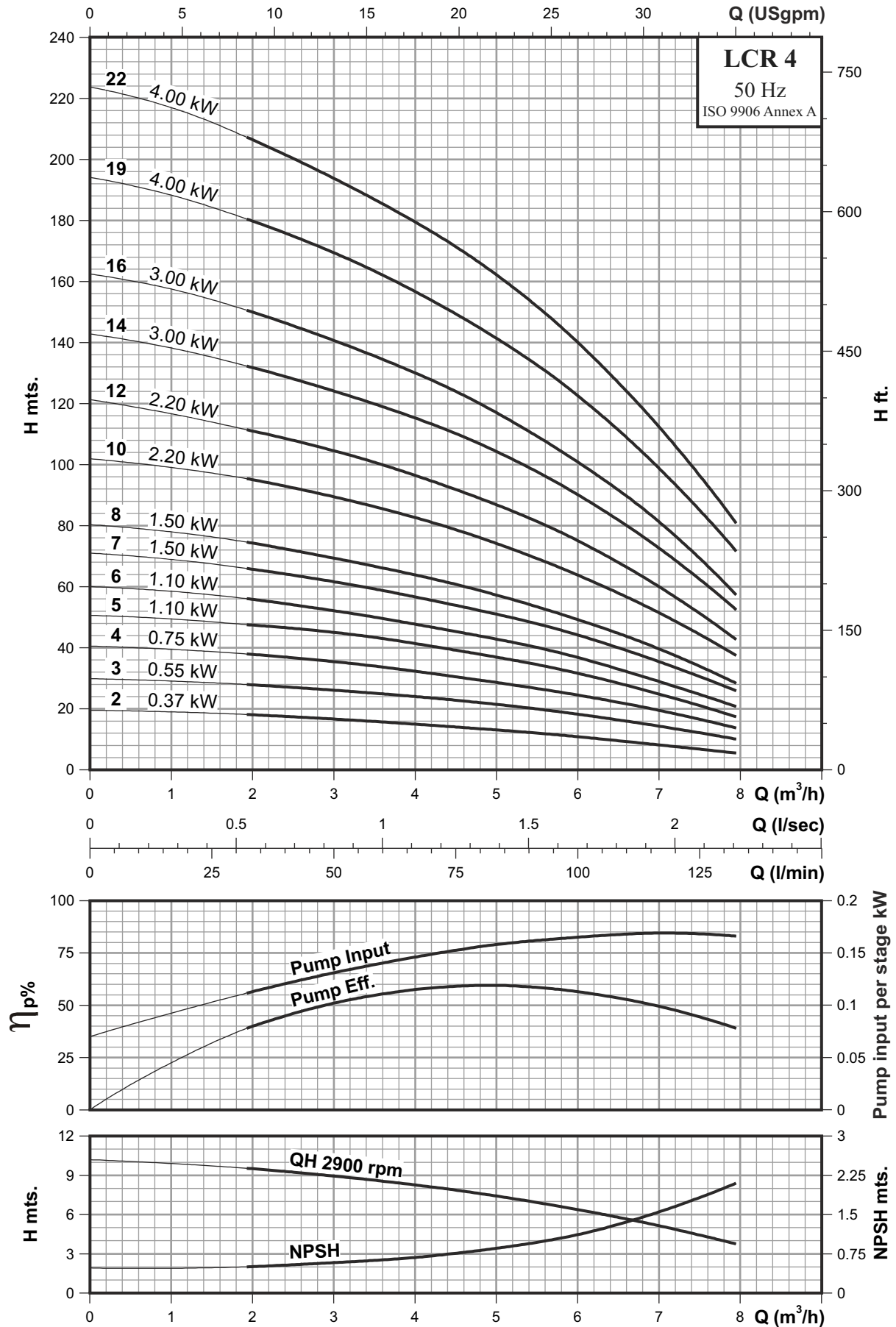
Dimensions & Weights of LCR Pump

Pump type	Dimensions [mm]						Net weight [kg]		Gross weight [kg]		Gross volume [m <sup>3</sup> ]
	Oval flange		DIN flange		D1	D2	Oval flange	DIN flange	Oval flange	DIN flange	
	B1	B1+B2	B1	B1+B2							
LCR 4/2	254	467	279	492	143	106	18.0	23.0	28.0	33.0	0.1030
LCR 4/3	281	494	306	519	143	106	20.0	24.0	30.0	34.0	0.1030
LCR 4/4	308	572	333	597	160	113	22.0	27.0	36.0	41.0	0.1428
LCR 4/5	341	605	366	630	160	113	25.0	29.0	39.0	43.0	0.1428
LCR 4/6	368	632	393	657	160	113	25.0	30.0	39.0	44.0	0.1428
LCR 4/7	395	673	420	698	165	130	34.0	37.0	48.0	51.0	0.1428
LCR 4/8	422	700	447	725	165	130	34.0	38.0	48.0	52.0	0.1428
LCR 4/10	492	770	517	795	165	130	36.0	40.0	50.0	54.0	0.1428
LCR 4/12	546	824	571	849	165	130	36.0	41.0	54.0	59.0	0.1825
LCR 4/14	600	904	625	929	194	140	42.0	44.0	62.0	64.0	0.2650
LCR 4/16	654	958	679	983	194	140	43.0	46.0	66.0	69.0	0.2650
LCR 4/19	739	1089	764	1114	220	150	54.0	60.0	83.0	89.0	0.2996
LCR 4/22	820	1170	845	1195	220	150	56.0	62.0	85.0	91.0	0.2996

# Performance Curves

Vertical multistage centrifugal pumps

## LCR 4

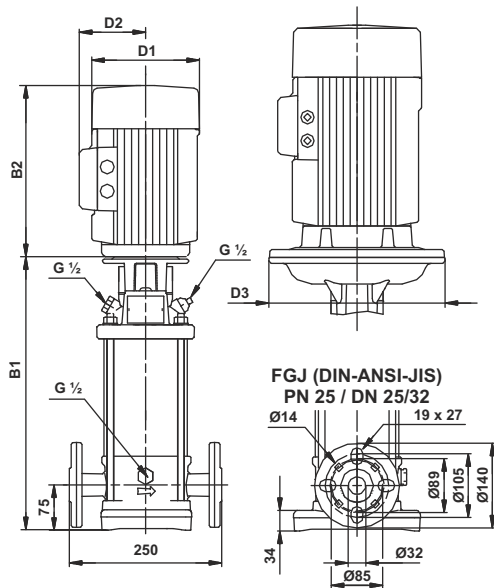


# Technical Data

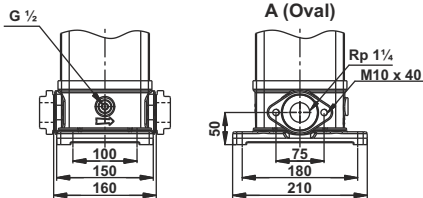
Vertical multistage centrifugal pumps

## LCRI, LCRN 4

Performance Chart



Pump Type	H.P.	kW	Q l/min m <sup>3</sup> /h	n = 2900 rpm					
				31.7	56.7	75.0	95.0	113.3	131.7
				1.9	3.4	4.5	5.7	6.8	7.9
LCRI, LCRN 4/2	0.50	0.37	H mts.	18	16	14	12	9	5
LCRI, LCRN 4/3	0.75	0.55		28	25	23	19	15	10
LCRI, LCRN 4/4	1.00	0.75		38	34	30	26	21	14
LCRI, LCRN 4/5	1.50	1.10		48	44	39	34	26	17
LCRI, LCRN 4/6	1.50	1.10		56	50	45	39	30	21
LCRI, LCRN 4/7	2.00	1.50		66	60	54	47	37	26
LCRI, LCRN 4/8	2.00	1.50		75	67	61	52	42	28
LCRI, LCRN 4/10	3.00	2.20		95	87	78	67	54	37
LCRI, LCRN 4/12	3.00	2.20		111	101	91	79	63	43
LCRI, LCRN 4/14	4.00	3.00		132	121	110	95	76	52
LCRI, LCRN 4/16	4.00	3.00		151	137	123	106	85	57
LCRI, LCRN 4/19	5.50	4.00		180	165	149	129	104	72
LCRI, LCRN 4/22	5.50	4.00		207	188	171	148	118	81



Dimensions & Weights of LCRI, LCRN Pump

Pump type	Dimensions [mm]						Net weight [kg]	Gross weight [kg]	Gross volume [m <sup>3</sup> ]
	Oval flange		DIN flange		D1	D2			
	B1	B1+B2	B1	B1+B2					
LCRI, LCRN 4/2	257	470	282	495	143	106	21.0	31.0	0.1030
LCRI, LCRN 4/3	284	497	309	522	143	106	22.0	32.0	0.1030
LCRI, LCRN 4/4	311	575	336	600	160	113	25.0	39.0	0.1428
LCRI, LCRN 4/5	344	608	369	633	160	113	27.0	41.0	0.1428
LCRI, LCRN 4/6	371	635	396	660	160	113	28.0	42.0	0.1428
LCRI, LCRN 4/7	398	676	423	701	165	130	35.0	49.0	0.1428
LCRI, LCRN 4/8	425	703	450	728	165	130	36.0	50.0	0.1428
LCRI, LCRN 4/10	495	773	520	798	165	130	37.0	55.0	0.1428
LCRI, LCRN 4/12	549	827	574	852	165	130	38.0	56.0	0.1825
LCRI, LCRN 4/14	603	907	628	932	194	140	44.0	64.0	0.2650
LCRI, LCRN 4/16	657	961	682	986	194	140	45.0	68.0	0.2650
LCRI, LCRN 4/19	742	1092	767	1117	220	150	57.0	86.0	0.2996
LCRI, LCRN 4/22	823	1173	848	1198	220	150	59.0	88.0	0.2996

# Performance Curves

Vertical multistage centrifugal pumps

## LCRI, LCRN 4

