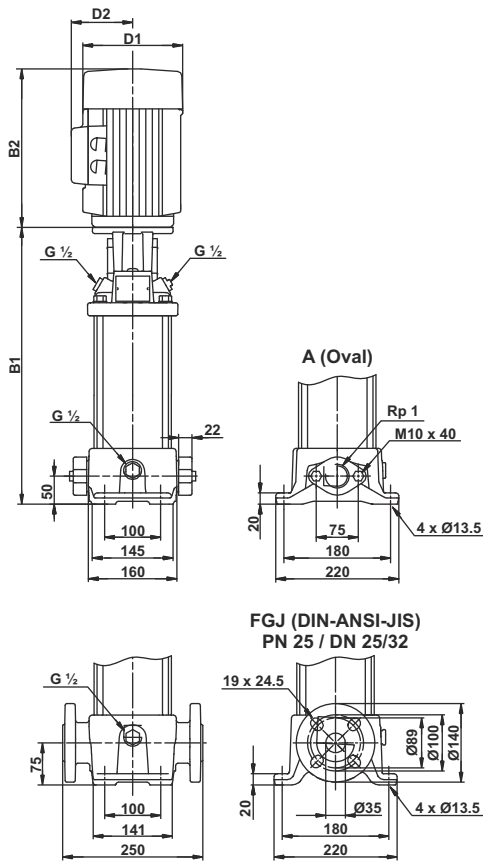


# Technical Data

# LCR 3

## Vertical multistage centrifugal pumps

Performance Chart



Pump Type	H.P.	kW	Q l/min m³/h	n = 2900 rpm					
				33.3	40.0	46.7	50.0	53.3	60.0
				2.0	2.4	2.8	3.0	3.2	3.6
LCR 3/2	0.50	0.37	H mts.	12	11	10	10	9	8
LCR 3/3	0.50	0.37		18	17	15	15	14	12
LCR 3/4	0.50	0.37		23	22	21	19	18	16
LCR 3/5	0.50	0.37		29	28	26	24	23	21
LCR 3/6	0.75	0.55		35	33	30	29	27	24
LCR 3/7	0.75	0.55		41	38	36	34	33	29
LCR 3/8	1.00	0.75		47	44	41	39	38	33
LCR 3/9	1.00	0.75		52	50	46	44	41	36
LCR 3/10	1.00	0.75		58	55	51	49	46	40
LCR 3/11	1.50	1.10		64	60	56	53	51	45
LCR 3/12	1.50	1.10		69	66	61	58	55	48
LCR 3/13	1.50	1.10		75	71	66	63	60	53
LCR 3/15	1.50	1.10		86	80	75	71	68	60
LCR 3/17	2.00	1.50		100	94	87	83	79	70
LCR 3/19	2.00	1.50		110	104	97	91	88	77
LCR 3/21	3.00	2.20		123	116	108	102	98	86
LCR 3/23	3.00	2.20		135	127	118	112	107	95
LCR 3/25	3.00	2.20		146	138	128	121	116	102
LCR 3/27	3.00	2.20		157	148	138	130	124	110
LCR 3/29	3.00	2.20		169	159	148	140	134	118
LCR 3/31	4.00	3.00		182	172	159	151	144	127
LCR 3/33	4.00	3.00		193	182	170	161	154	136
LCR 3/36	4.00	3.00		211	199	185	176	168	148

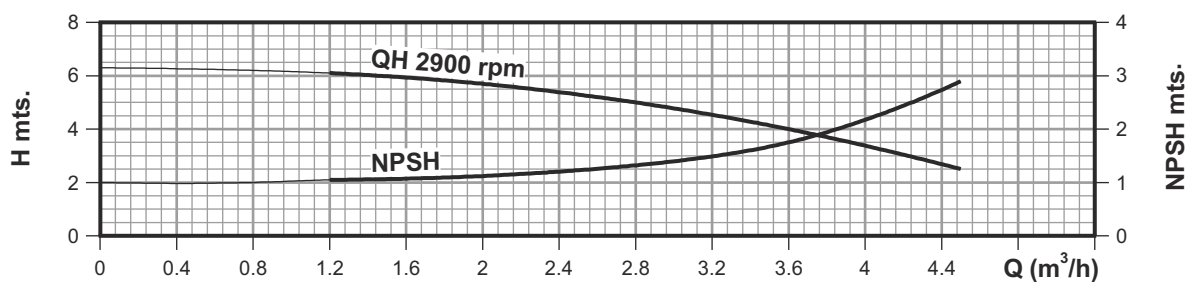
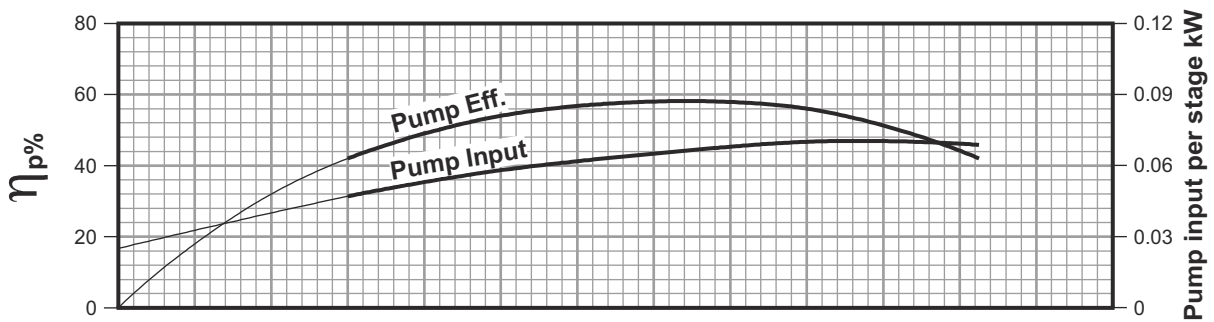
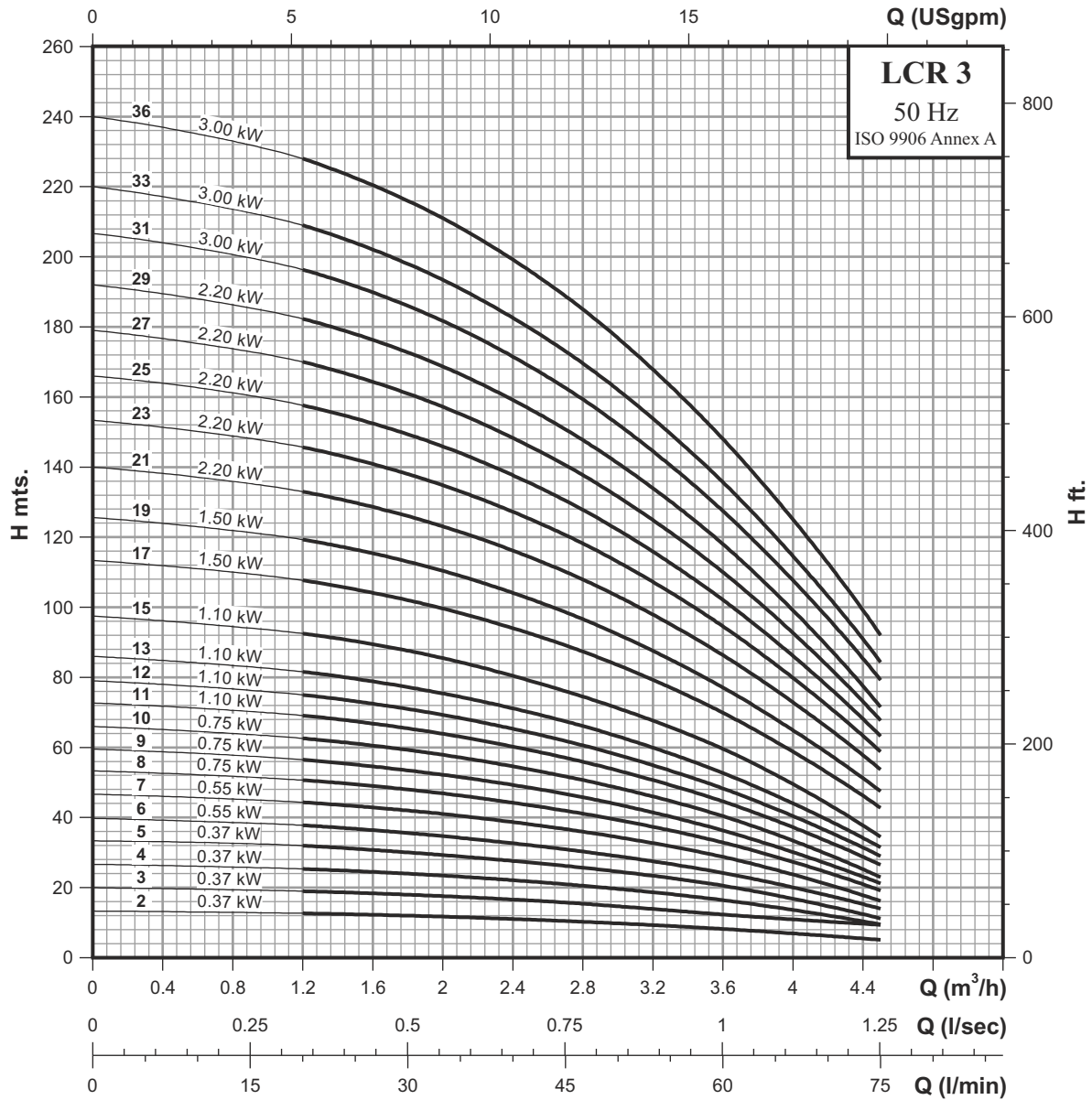
## Dimensions & Weights of LCR Pump

Pump type	Dimensions [mm]						Net weight [kg]		Gross weight [kg]		Gross volume [m³]
	Oval flange		DIN flange		D1	D2	Oval flange	DIN flange	Oval flange	DIN flange	
	B1	B1+B2	B1	B1+B2							
LCR 3/2	236	449	261	474	143	106	18.0	23.0	28.0	33.0	0.1030
LCR 3/3	254	467	279	492	143	106	18.0	23.0	28.0	33.0	0.1030
LCR 3/4	272	485	297	510	143	106	19.0	23.0	29.0	33.0	0.1030
LCR 3/5	290	503	315	528	143	106	19.0	24.0	29.0	34.0	0.1030
LCR 3/6	308	521	333	546	143	106	20.0	25.0	30.0	35.0	0.1030
LCR 3/7	326	539	351	564	143	106	21.0	25.0	31.0	35.0	0.1030
LCR 3/8	350	614	375	639	160	113	23.0	27.0	37.0	41.0	0.1428
LCR 3/9	368	632	393	657	160	113	23.0	28.0	37.0	42.0	0.1428
LCR 3/10	386	650	411	675	160	113	24.0	28.0	38.0	42.0	0.1428
LCR 3/11	404	668	429	693	160	113	26.0	31.0	40.0	45.0	0.1428
LCR 3/12	422	686	447	711	160	113	26.0	31.0	40.0	45.0	0.1428
LCR 3/13	440	704	465	729	160	113	27.0	31.0	41.0	45.0	0.1428
LCR 3/15	476	740	501	765	160	113	28.0	32.0	42.0	46.0	0.1428
LCR 3/17	528	806	553	831	165	130	36.0	40.0	50.0	54.0	0.1428
LCR 3/19	564	842	589	867	165	130	37.0	41.0	55.0	59.0	0.1825
LCR 3/21	600	878	625	903	165	130	38.0	42.0	56.0	60.0	0.1825
LCR 3/23	636	914	661	939	165	130	39.0	43.0	57.0	61.0	0.1825
LCR 3/25	-	-	697	975	165	130	-	44.0	-	62.0	0.1825
LCR 3/27	-	-	733	1011	165	130	-	45.0	-	63.0	0.1825
LCR 3/29	-	-	769	1047	165	130	-	46.0	-	64.0	0.1825
LCR 3/31	-	-	809	1113	194	140	-	51.0	-	80.0	0.2996
LCR 3/33	-	-	845	1149	194	140	-	51.0	-	80.0	0.2996
LCR 3/36	-	-	899	1203	194	140	-	53.0	-	82.0	0.2996

# Performance Curves

Vertical multistage centrifugal pumps

## LCR 3

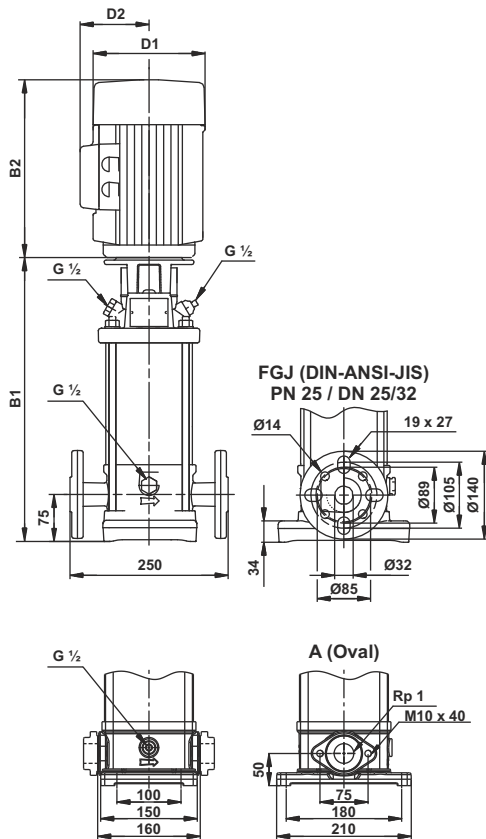


# Technical Data

Vertical multistage centrifugal pumps

## LCRI, LCRN 3

Performance Chart



Pump Type	H.P.	kW	Q	n = 2900 rpm						
				l/min	33.3	40.0	46.7	50.0	53.3	60.0
				m <sup>3</sup> /h	2.0	2.4	2.8	3.0	3.2	3.6
LCRI, LCRN 3/2	0.50	0.37	H mts.	12	11	10	10	9	8	
LCRI, LCRN 3/3	0.50	0.37		18	17	15	15	14	12	
LCRI, LCRN 3/4	0.50	0.37		23	22	21	19	18	16	
LCRI, LCRN 3/5	0.50	0.37		29	28	26	24	23	21	
LCRI, LCRN 3/6	0.75	0.55		35	33	30	29	27	24	
LCRI, LCRN 3/7	0.75	0.55		41	38	36	34	33	29	
LCRI, LCRN 3/8	1.00	0.75		47	44	41	39	38	33	
LCRI, LCRN 3/9	1.00	0.75		52	50	46	44	41	36	
LCRI, LCRN 3/10	1.00	0.75		58	55	51	49	46	40	
LCRI, LCRN 3/11	1.50	1.10		64	60	56	53	51	45	
LCRI, LCRN 3/12	1.50	1.10		69	66	61	58	55	48	
LCRI, LCRN 3/13	1.50	1.10		75	71	66	63	60	53	
LCRI, LCRN 3/15	1.50	1.10		86	80	75	71	68	60	
LCRI, LCRN 3/17	2.00	1.50		100	94	87	83	79	70	
LCRI, LCRN 3/19	2.00	1.50		110	104	97	91	88	77	
LCRI, LCRN 3/21	3.00	2.20		123	116	108	102	98	86	
LCRI, LCRN 3/23	3.00	2.20		135	127	118	112	107	95	
LCRI, LCRN 3/25	3.00	2.20		146	138	128	121	116	102	
LCRI, LCRN 3/27	3.00	2.20		157	148	138	130	124	110	
LCRI, LCRN 3/29	3.00	2.20		169	159	148	140	134	118	
LCRI, LCRN 3/31	4.00	3.00		182	172	159	151	144	127	
LCRI, LCRN 3/33	4.00	3.00		193	182	170	161	154	136	
LCRI, LCRN 3/36	4.00	3.00		211	199	185	176	168	148	

Dimensions & Weights of LCRI, LCRN Pump

Pump type	Dimensions [mm]						Net weight [kg]	Gross weight [kg]	Gross volume [m <sup>3</sup> ]
	Oval flange		DIN flange		D1	D2			
	B1	B1+B2	B1	B1+B2					
LCRI, LCRN 3/2	239	452	264	477	143	106	19.0	29.0	0.1030
LCRI, LCRN 3/3	257	470	282	495	143	106	19.0	29.0	0.1030
LCRI, LCRN 3/4	275	488	300	513	143	106	19.0	29.0	0.1030
LCRI, LCRN 3/5	293	506	318	531	143	106	20.0	30.0	0.1030
LCRI, LCRN 3/6	311	524	336	549	143	106	21.0	31.0	0.1030
LCRI, LCRN 3/7	329	542	354	567	143	106	21.0	31.0	0.1030
LCRI, LCRN 3/8	353	617	378	642	160	113	24.0	38.0	0.1428
LCRI, LCRN 3/9	371	635	396	660	160	113	24.0	38.0	0.1428
LCRI, LCRN 3/10	389	653	414	678	160	113	25.0	39.0	0.1428
LCRI, LCRN 3/11	407	671	432	696	160	113	27.0	41.0	0.1428
LCRI, LCRN 3/12	425	689	450	714	160	113	28.0	42.0	0.1428
LCRI, LCRN 3/13	443	707	468	732	160	113	28.0	42.0	0.1428
LCRI, LCRN 3/15	479	743	504	768	160	113	29.0	43.0	0.1428
LCRI, LCRN 3/17	531	809	556	834	165	130	36.0	50.0	0.1428
LCRI, LCRN 3/19	567	845	592	870	165	130	37.0	55.0	0.1825
LCRI, LCRN 3/21	603	881	628	906	165	130	38.0	56.0	0.1825
LCRI, LCRN 3/23	639	917	664	942	165	130	39.0	57.0	0.1825
LCRI, LCRN 3/25	675	953	700	978	165	130	40.0	58.0	0.1825
LCRI, LCRN 3/27	711	989	736	1014	165	130	41.0	59.0	0.1825
LCRI, LCRN 3/29	747	1025	772	1050	165	130	42.0	60.0	0.1825
LCRI, LCRN 3/31	787	1091	812	1116	194	140	47.0	76.0	0.2996
LCRI, LCRN 3/33	823	1127	848	1152	194	140	47.0	76.0	0.2996
LCRI, LCRN 3/36	877	1181	902	1206	194	140	49.0	78.0	0.2996

# Performance Curves

Vertical multistage centrifugal pumps

## LCRI, LCRN 3

