

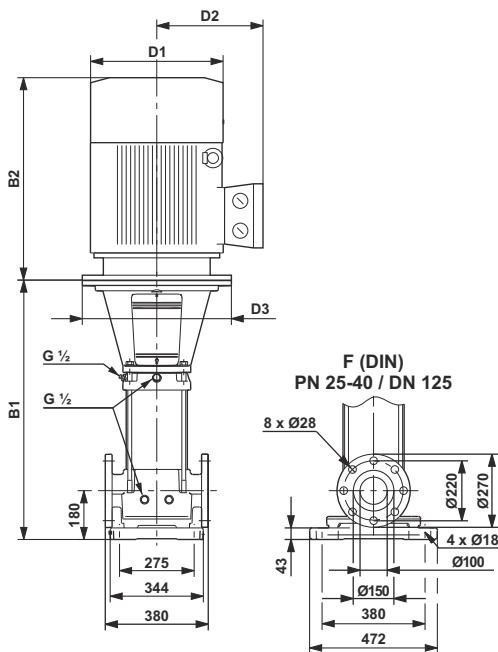
# Technical Data

Vertical multistage centrifugal pumps

## LCR 150

Performance Chart

Pump Type	H.P.	kW	Q l/min m <sup>3</sup> /h	n = 2900 rpm					
				1666.7	2000.0	2333.4	2500.1	2666.7	3000.1
				100.0	120.0	140.0	150.0	160.0	180.0
<b>LCR 150/1-1</b>	15.0	11.0	<b>H mts.</b>	18	16	14	13	11	8
<b>LCR 150/1</b>	20.0	15.0		25	22	20	19	18	15
<b>LCR 150/2-1</b>	30.0	22.0		45	42	39	37	35	28
<b>LCR 150/3-2</b>	40.0	30.0		64	59	55	53	49	39
<b>LCR 150/3</b>	50.0	37.0		78	71	65	62	58	49
<b>LCR 150/4-1</b>	60.0	45.0		97	90	84	81	78	64
<b>LCR 150/5-2</b>	75.0	55.0		119	110	102	98	93	80
<b>LCR 150/6</b>	100.0	75.0		163	152	143	138	134	121



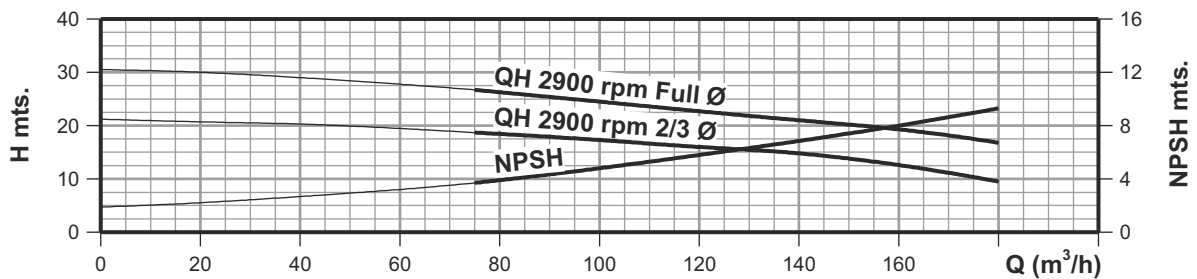
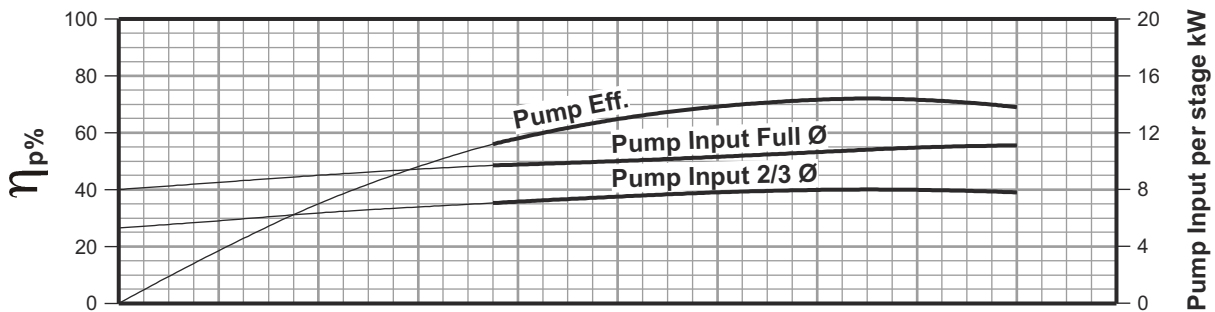
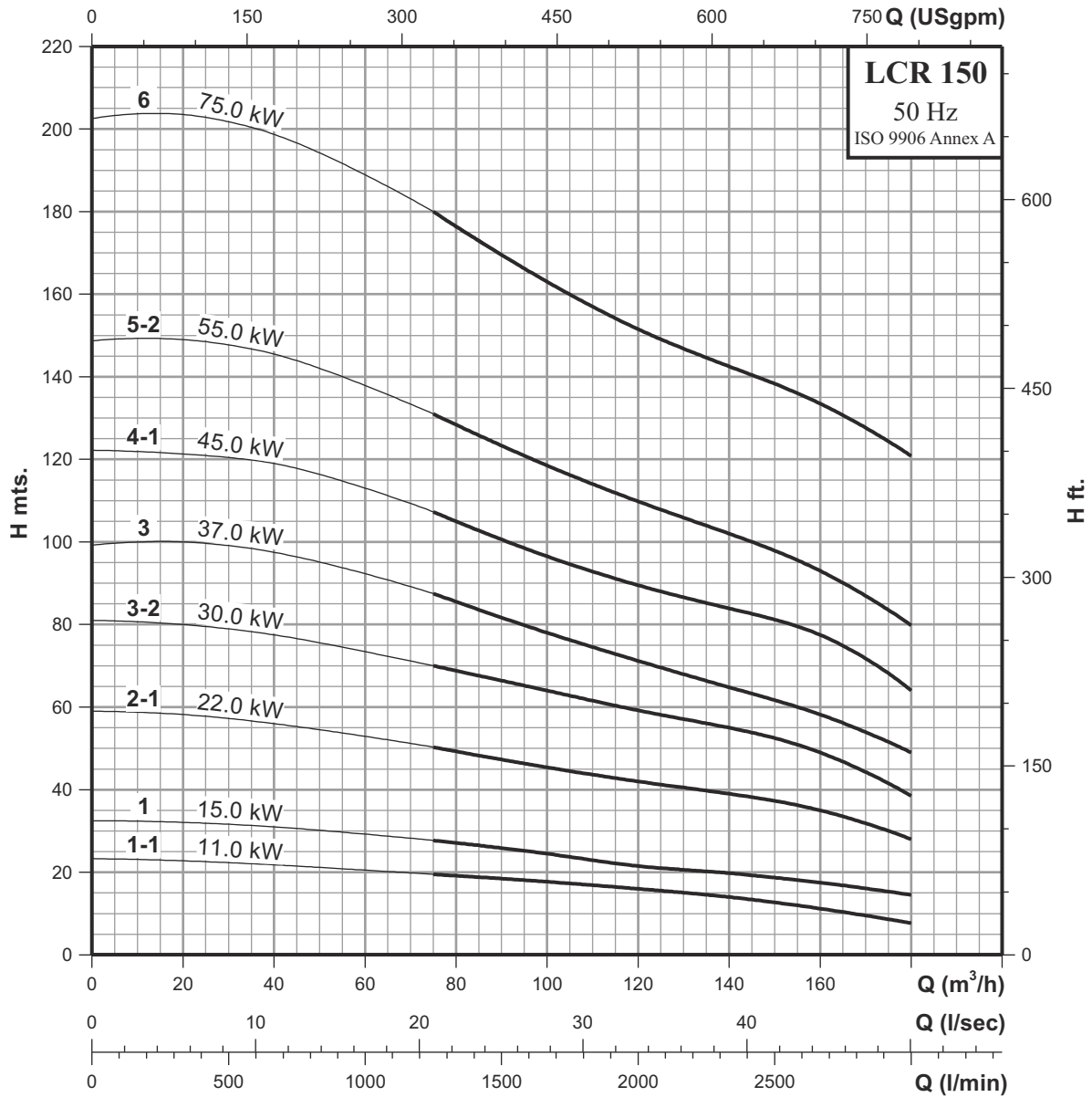
Dimensions & Weights of LCR Pump

Pump type	Dimensions [mm]					Net weight [kg]	Gross weight [kg]	Gross volume [m <sup>3</sup> ]
	DIN flange		D1	D2	D3			
	B1	B1+B2						
<b>LCR 150/1-1</b>	834	1376	304	225	350	191.0	291.0	0.2787
<b>LCR 150/1</b>	834	1376	304	225	350	204.0	304.0	0.2787
<b>LCR 150/2-1</b>	990	1600	363	262	350	241.0	361.0	0.5872
<b>LCR 150/3-2</b>	1145	1791	415	300	400	368.0	488.0	0.5872
<b>LCR 150/3</b>	1145	2004	415	300	400	383.0	503.0	0.5872
<b>LCR 150/4-1</b>	1301	2165	442	325	450	477.0	617.0	1.3716
<b>LCR 150/5-2</b>	1486	2284	493	414	550	617.0	757.0	1.3716
<b>LCR 150/6</b>	1642	2527	548	445	550	733.0	873.0	1.3716

# Performance Curves

Vertical multistage centrifugal pumps

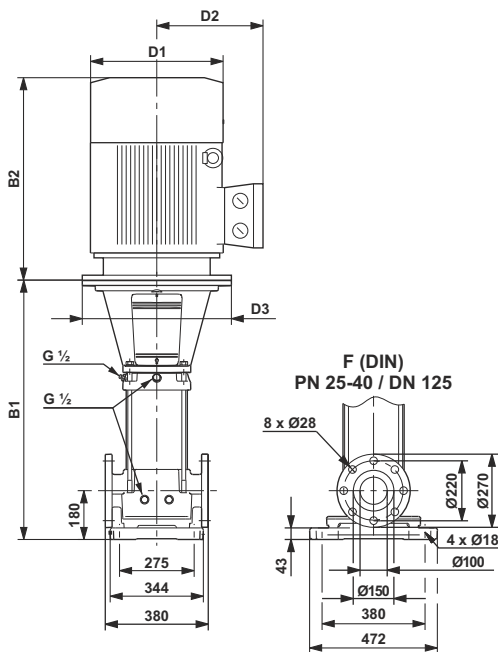
## LCR 150



# Technical Data

Vertical multistage centrifugal pumps

## LCRN 150



Pump Type	H.P.	kW	Q l/min m <sup>3</sup> /h	n = 2900 rpm					
				1666.7	2000.0	2333.4	2500.1	2666.7	3000.1
				100.0	120.0	140.0	150.0	160.0	180.0
LCRN 150/1-1	15.0	11.0	H mts.	18	16	14	13	11	8
LCRN 150/1	20.0	15.0		25	22	20	19	18	15
LCRN 150/2-1	30.0	22.0		45	42	39	37	35	28
LCRN 150/3-2	40.0	30.0		64	59	55	53	49	39
LCRN 150/3	50.0	37.0		78	71	65	62	58	49
LCRN 150/4-1	60.0	45.0		97	90	84	81	78	64
LCRN 150/5-2	75.0	55.0		119	110	102	98	93	80
LCRN 150/6	100.0	75.0		163	152	143	138	134	121

### Dimensions & Weights of LCRN Pump

Pump type	Dimensions [mm]					Net weight [kg]	Gross weight [kg]	Gross volume [m <sup>3</sup> ]
	DIN flange		D1	D2	D3			
	B1	B1+B2						
LCRN 150/1-1	834	1376	304	225	350	191.0	291.0	0.2787
LCRN 150/1	834	1376	304	225	350	204.0	304.0	0.2787
LCRN 150/2-1	990	1600	363	262	350	241.0	361.0	0.5872
LCRN 150/3-2	1145	1791	415	300	400	368.0	488.0	0.5872
LCRN 150/3	1145	2004	415	300	400	383.0	503.0	0.5872
LCRN 150/4-1	1301	2165	442	325	450	477.0	617.0	1.3716
LCRN 150/5-2	1486	2284	493	414	550	617.0	757.0	1.3716
LCRN 150/6	1642	2527	548	445	550	733.0	873.0	1.3716

# Performance Curves

Vertical multistage centrifugal pumps

## LCRN 150

