

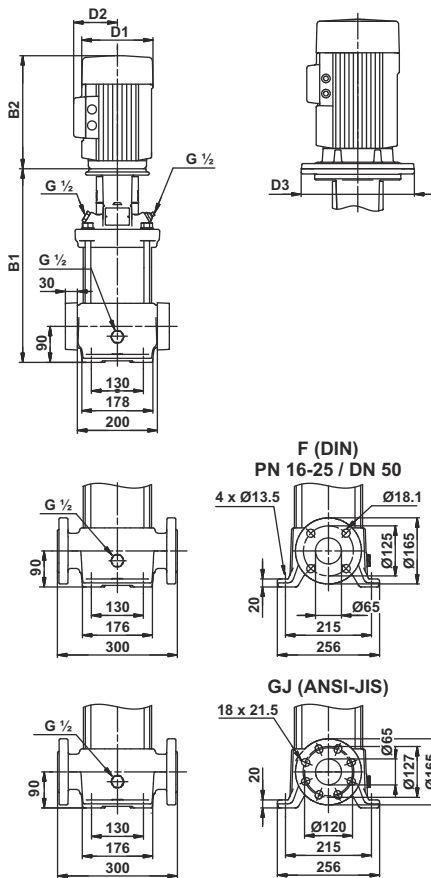
# Technical Data

Vertical multistage centrifugal pumps

## LCR 15

Performance Chart

Pump Type	H.P.	kW	Q l/min m <sup>3</sup> /h	n = 2900 rpm					
				233.3	250.0	266.7	300.0	333.3	366.7
				14.0	15.0	16.0	18.0	20.0	22.0
LCR 15/1	1.50	1.10	H mts.	12	12	11	11	10	9
LCR 15/2	3.00	2.20		25	24	23	22	20	18
LCR 15/3	4.00	3.00		37	36	35	32	30	26
LCR 15/4	5.50	4.00		50	48	47	44	39	35
LCR 15/5	5.50	4.00		62	60	59	54	49	44
LCR 15/6	7.50	5.50		74	72	69	65	58	52
LCR 15/7	7.50	5.50		87	84	82	76	70	62
LCR 15/8	10.0	7.50		99	96	93	87	79	70
LCR 15/9	10.0	7.50		112	108	105	98	89	80
LCR 15/10	15.0	11.0		124	121	117	109	99	89
LCR 15/12	15.0	11.0		149	146	140	131	119	106
LCR 15/14	15.0	11.0		174	170	163	152	139	124
LCR 15/17	20.0	15.0		211	206	198	185	169	151



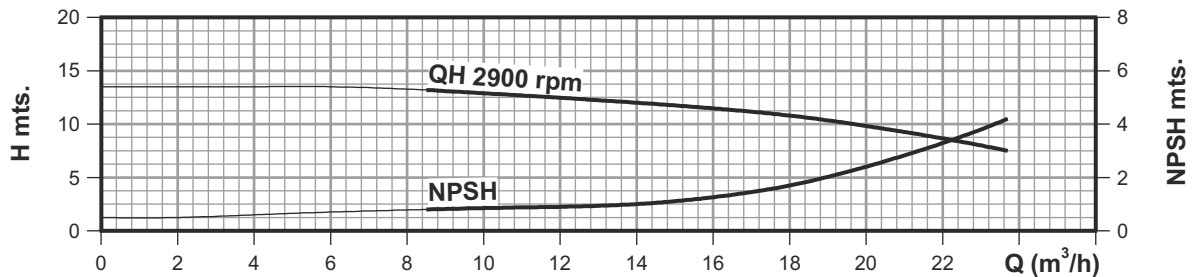
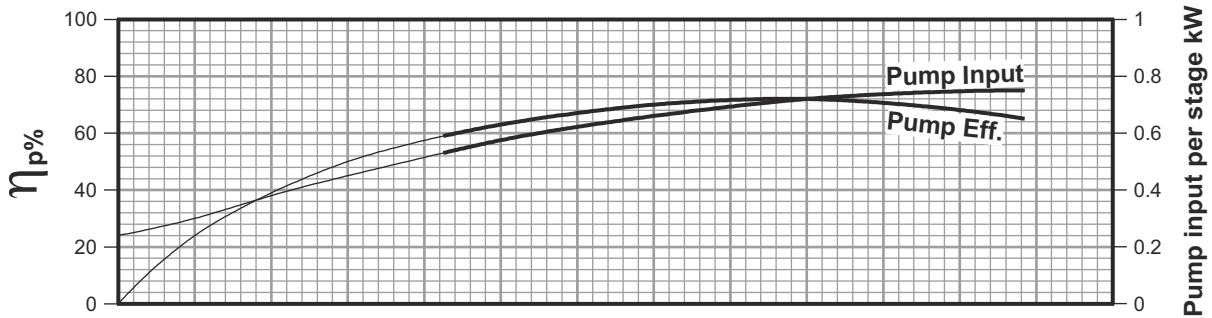
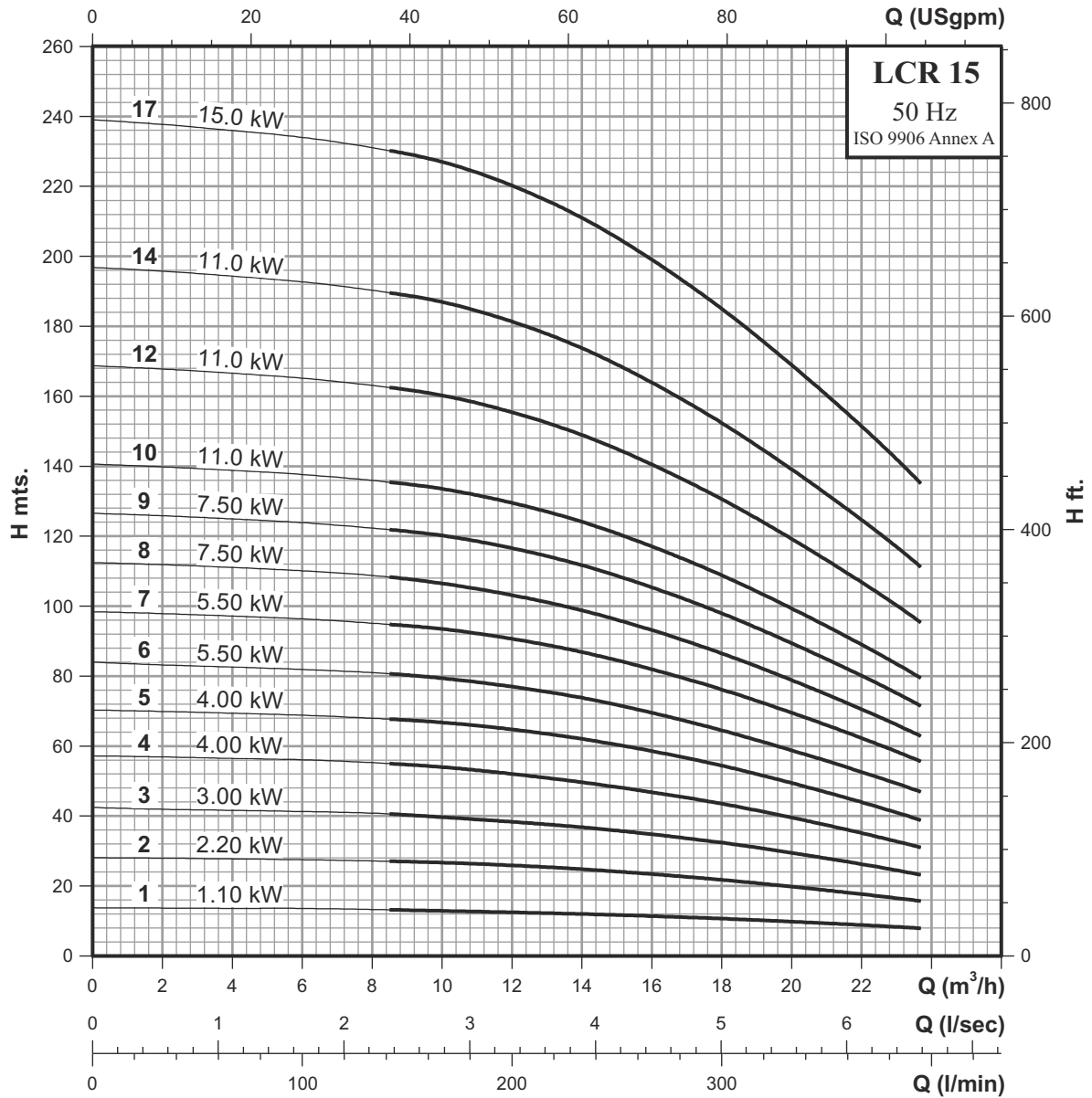
Dimensions & Weights of LCR Pump

Pump type	Dimensions [mm]							Net weight [kg]		Gross weight [kg]		Gross volume [m <sup>3</sup> ]
	Oval flange		DIN flange		D1	D2	D3	Oval flange	DIN flange	Oval flange	DIN flange	
	B1	B1+B2	B1	B1+B2								
LCR 15/1	400	664	400	664	160	113	-	41.0	42.0	55.0	56.0	0.1428
LCR 15/2	415	693	415	693	165	130	-	49.0	50.0	63.0	64.0	0.1428
LCR 15/3	465	769	465	769	194	140	-	54.0	55.0	80.0	81.0	0.2650
LCR 15/4	510	860	510	860	220	150	-	67.0	68.0	93.0	94.0	0.2650
LCR 15/5	555	905	555	905	220	150	-	68.0	69.0	94.0	95.0	0.2650
LCR 15/6	632	1042	632	1042	262	177	300	90.0	91.0	116.0	117.0	0.2650
LCR 15/7	677	1087	677	1087	262	177	300	92.0	93.0	121.0	122.0	0.2996
LCR 15/8	-	-	722	1132	262	177	300	-	97.0	-	126.0	0.2996
LCR 15/9	-	-	767	1177	262	177	300	-	98.0	-	127.0	0.2996
LCR 15/10	-	-	889	1431	304	225	350	-	130.0	-	176.0	0.4671
LCR 15/12	-	-	979	1521	304	225	350	-	134.0	-	187.0	0.5402
LCR 15/14	-	-	1069	1611	304	225	350	-	138.0	-	191.0	0.5402
LCR 15/17	-	-	1204	1746	304	225	350	-	157.0	-	210.0	0.5402

# Performance Curves

Vertical multistage centrifugal pumps

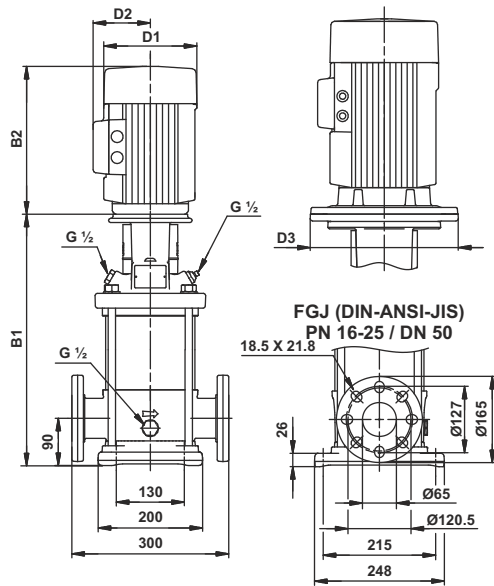
## LCR 15



# Technical Data

Vertical multistage centrifugal pumps

## LCRI, LCRN 15



Performance Chart

Pump Type	H.P.	kW	Q l/min m <sup>3</sup> /h	n = 2900 rpm					
				233.3	250.0	266.7	300.0	333.3	366.7
				14.0	15.0	16.0	18.0	20.0	22.0
LCRI ,LCRN 15/1	1.50	1.10	H mts.	12	12	11	11	10	9
LCRI ,LCRN 15/2	3.00	2.20		25	24	23	22	20	18
LCRI ,LCRN 15/3	4.00	3.00		37	36	35	32	30	26
LCRI ,LCRN 15/4	5.50	4.00		50	48	47	44	39	35
LCRI ,LCRN 15/5	5.50	4.00		62	60	59	54	49	44
LCRI ,LCRN 15/6	7.50	5.50		74	72	69	65	58	52
LCRI ,LCRN 15/7	7.50	5.50		87	84	82	76	70	62
LCRI ,LCRN 15/8	10.0	7.50		99	96	93	87	79	70
LCRI ,LCRN 15/9	10.0	7.50		112	108	105	98	89	80
LCRI ,LCRN 15/10	15.0	11.0		124	121	117	109	99	89
LCRI ,LCRN 15/12	15.0	11.0		149	146	140	131	119	106
LCRI ,LCRN 15/14	15.0	11.0		174	170	163	152	139	124
LCRI ,LCRN 15/17	20.0	15.0		211	206	198	185	169	151

Dimensions & Weights of LCRI, LCRN Pump

Pump type	Dimensions [mm]					Net weight [kg]	Gross weight [kg]	Gross volume [m <sup>3</sup> ]
	DIN flange		D1	D2	D3			
	B1	B1+B2						
LCRI ,LCRN 15/1	400	664	160	113	-	42.0	56.0	0.1428
LCRI ,LCRN 15/2	415	693	165	130	-	50.0	64.0	0.1428
LCRI ,LCRN 15/3	465	769	194	140	-	55.0	81.0	0.2650
LCRI ,LCRN 15/4	510	860	220	150	-	68.0	94.0	0.2650
LCRI ,LCRN 15/5	555	905	220	150	-	69.0	95.0	0.2650
LCRI ,LCRN 15/6	632	1042	262	177	300	91.0	117.0	0.2650
LCRI ,LCRN 15/7	677	1087	262	177	300	93.0	122.0	0.2996
LCRI ,LCRN 15/8	722	1132	262	177	300	97.0	126.0	0.2996
LCRI ,LCRN 15/9	767	1177	262	177	300	98.0	127.0	0.2996
LCRI ,LCRN 15/10	889	1431	304	225	350	130.0	176.0	0.4671
LCRI ,LCRN 15/12	979	1521	304	225	350	134.0	187.0	0.5402
LCRI ,LCRN 15/14	1069	1611	304	225	350	138.0	191.0	0.5402
LCRI ,LCRN 15/17	1204	1746	304	225	350	157.0	210.0	0.5402

# Performance Curves

Vertical multistage centrifugal pumps

## LCRI, LCRN 15

