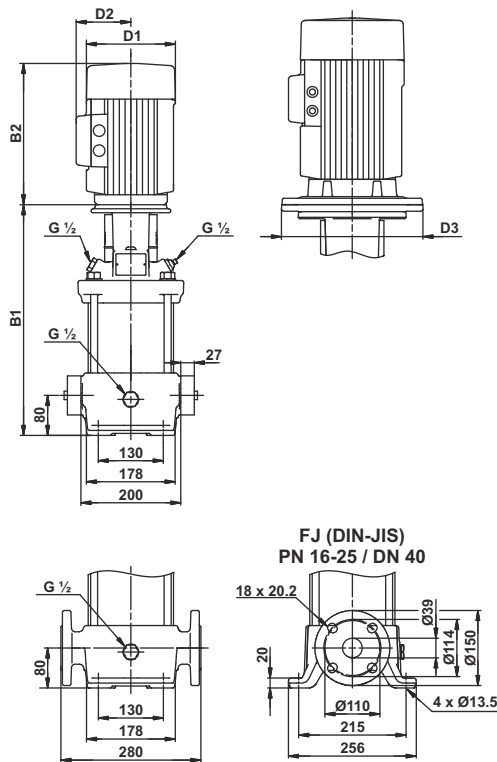


Technical Data

Vertical multistage centrifugal pumps

LCR 10

Performance Chart



Pump Type	H.P.	kW	Q l/min m ³ /h	n = 2900 rpm					
				116.7	133.3	150.0	166.7	183.3	200.0
				7.0	8.0	9.0	10.0	11.0	12.0
LCR 10/1	0.50	0.37	H mts.	10	9	8	8	7	6
LCR 10/2	1.00	0.75		19	18	17	16	14	12
LCR 10/3	1.50	1.10		29	28	26	24	22	19
LCR 10/4	2.00	1.50		38	37	34	32	29	26
LCR 10/5	3.00	2.20		48	47	44	41	38	34
LCR 10/6	3.00	2.20		58	56	53	49	45	40
LCR 10/7	4.00	3.00		68	65	62	57	52	47
LCR 10/8	4.00	3.00		78	75	70	65	60	53
LCR 10/9	4.00	3.00		88	84	79	73	66	59
LCR 10/10	5.50	4.00		97	93	88	82	75	67
LCR 10/12	5.50	4.00		116	111	105	98	89	80
LCR 10/14	7.50	5.50		136	130	123	115	105	94
LCR 10/16	7.50	5.50	154	148	140	130	119	106	
LCR 10/18	10.0	7.50	174	168	158	147	135	122	
LCR 10/20	10.0	7.50	194	186	176	164	150	135	
LCR 10/22	10.0	7.50	213	205	193	180	165	148	

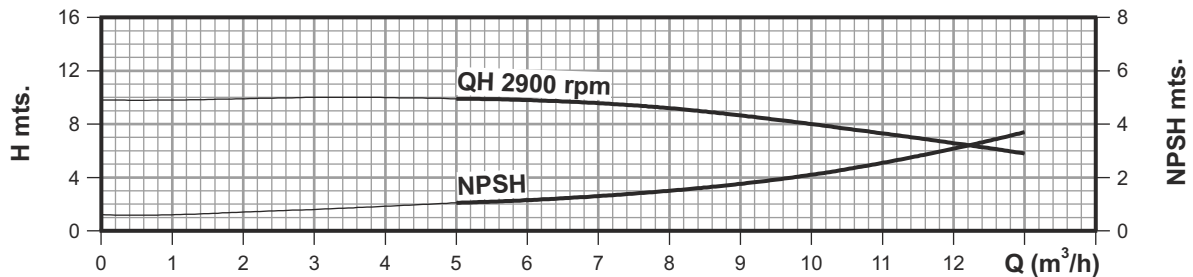
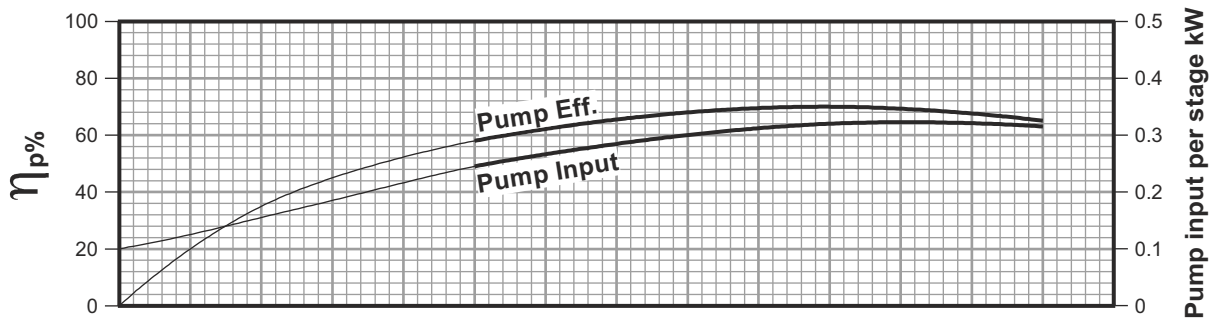
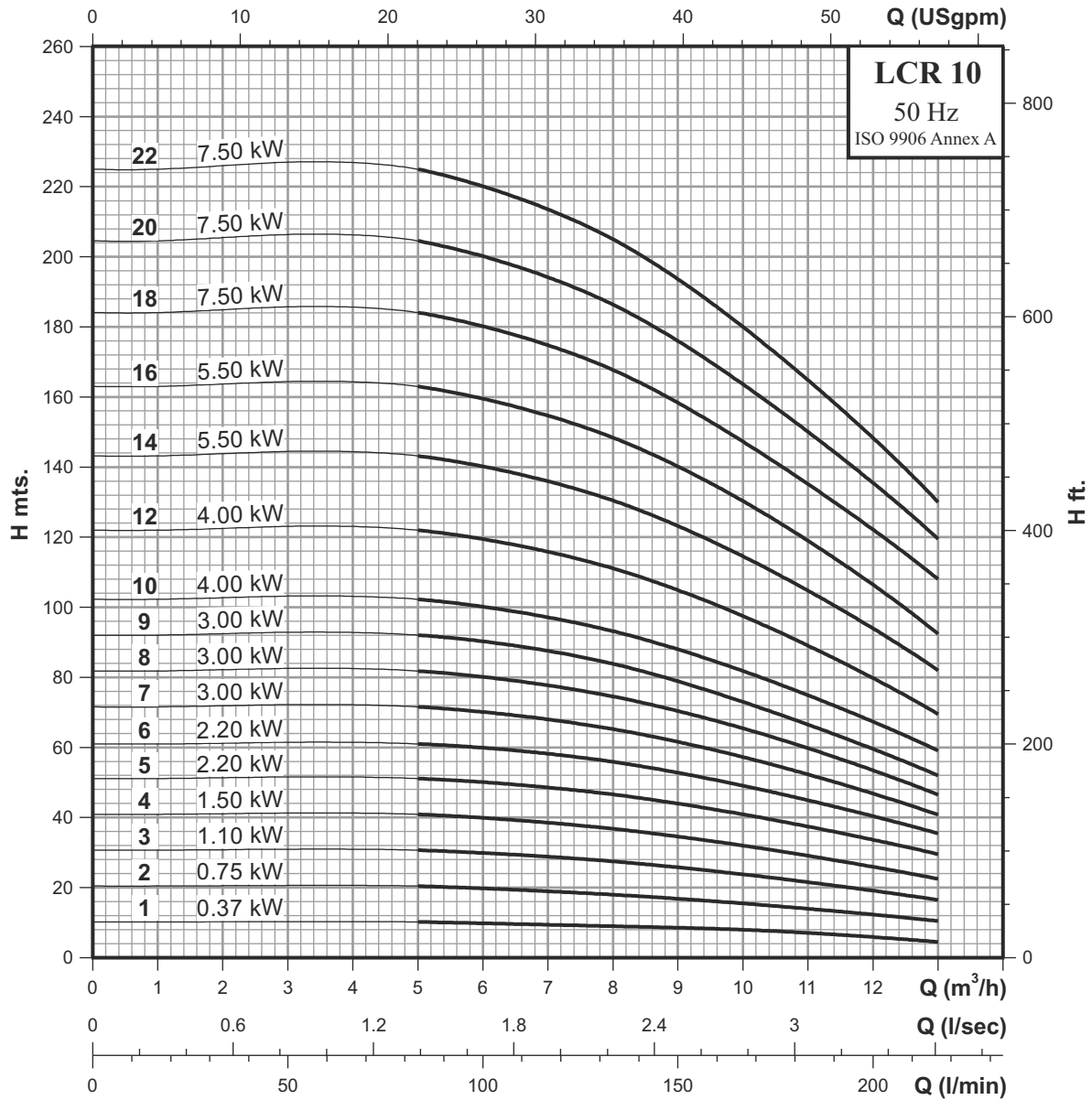
Dimensions & Weights of LCR Pump

Pump type	Dimensions [mm]							Net weight [kg]		Gross weight [kg]		Gross volume [m ³]
	Oval flange		DIN flange		D1	D2	D3	Oval flange	DIN flange	Oval flange	DIN flange	
	B1	B1+B2	B1	B1+B2								
LCR 10/1	343	556	343	556	143	106	-	31.0	34.0	45.0	48.0	0.1428
LCR 10/2	347	611	347	611	160	113	-	34.0	36.0	48.0	50.0	0.1428
LCR 10/3	377	641	377	641	160	113	-	37.0	39.0	51.0	53.0	0.1428
LCR 10/4	423	701	423	701	165	130	-	45.0	47.0	59.0	61.0	0.1428
LCR 10/5	453	731	453	731	165	130	-	46.0	49.0	60.0	63.0	0.1428
LCR 10/6	483	761	483	761	165	130	-	47.0	50.0	61.0	64.0	0.1428
LCR 10/7	518	822	518	822	194	140	-	52.0	55.0	78.0	81.0	0.2650
LCR 10/8	548	852	548	852	194	140	-	53.0	56.0	79.0	82.0	0.2650
LCR 10/9	578	882	578	882	194	140	-	54.0	57.0	80.0	83.0	0.2650
LCR 10/10	608	958	608	958	220	150	-	66.0	69.0	92.0	95.0	0.2650
LCR 10/12	668	1018	668	1018	220	150	-	69.0	71.0	95.0	97.0	0.2650
LCR 10/14	760	1170	760	1170	262	177	300	91.0	94.0	120.0	123.0	0.2996
LCR 10/16	820	1230	820	1230	262	177	300	93.0	96.0	127.0	130.0	0.3458
LCR 10/18	-	-	880	1290	262	177	300	-	101.0	-	135.0	0.3458
LCR 10/20	-	-	940	1350	262	177	300	-	103.0	-	137.0	0.3458
LCR 10/22	-	-	1000	1410	262	177	300	-	105.0	-	139.0	0.3458

Performance Curves

Vertical multistage centrifugal pumps

LCR 10

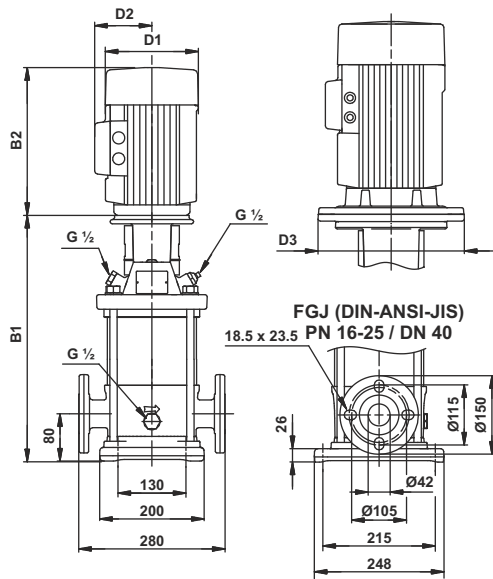


Technical Data

Vertical multistage centrifugal pumps

LCRI, LCRN 10

Performance Chart



Pump Type	H.P.	kW	Q l/min m ³ /h	n = 2900 rpm					
				116.7	133.3	150.0	166.7	183.3	200.0
				7.0	8.0	9.0	10.0	11.0	12.0
LCRI, LCRN 10/1	0.50	0.37	H mts.	10	9	8	8	7	6
LCRI, LCRN 10/2	1.00	0.75		19	18	17	16	14	12
LCRI, LCRN 10/3	1.50	1.10		29	28	26	24	22	19
LCRI, LCRN 10/4	2.00	1.50		38	37	34	32	29	26
LCRI, LCRN 10/5	3.00	2.20		48	47	44	41	38	34
LCRI, LCRN 10/6	3.00	2.20		58	56	53	49	45	40
LCRI, LCRN 10/7	4.00	3.00		68	65	62	57	52	47
LCRI, LCRN 10/8	4.00	3.00		78	75	70	65	60	53
LCRI, LCRN 10/9	4.00	3.00		88	84	79	73	66	59
LCRI, LCRN 10/10	5.50	4.00		97	93	88	82	75	67
LCRI, LCRN 10/12	5.50	4.00		116	111	105	98	89	80
LCRI, LCRN 10/14	7.50	5.50		136	130	123	115	105	94
LCRI, LCRN 10/16	7.50	5.50		154	148	140	130	119	106
LCRI, LCRN 10/18	10.0	7.50		174	168	158	147	135	122
LCRI, LCRN 10/20	10.0	7.50		194	186	176	164	150	135
LCRI, LCRN 10/22	10.0	7.50		213	205	193	180	165	148

Dimensions & Weights of LCRI, LCRN Pump

Pump type	Dimensions [mm]					Net weight [kg]	Gross weight [kg]	Gross volume [m ³]
	DIN flange		D1	D2	D3			
	B1	B1+B2						
LCRI, LCRN 10/1	353	566	143	106	-	32.0	46.0	0.1428
LCRI, LCRN 10/2	357	621	160	113	-	34.0	48.0	0.1428
LCRI, LCRN 10/3	387	651	160	113	-	38.0	52.0	0.1428
LCRI, LCRN 10/4	433	711	165	130	-	46.0	60.0	0.1428
LCRI, LCRN 10/5	463	741	165	130	-	47.0	61.0	0.1428
LCRI, LCRN 10/6	493	771	165	130	-	48.0	62.0	0.1428
LCRI, LCRN 10/7	528	832	194	140	-	54.0	80.0	0.2650
LCRI, LCRN 10/8	558	862	194	140	-	55.0	81.0	0.2650
LCRI, LCRN 10/9	588	892	194	140	-	56.0	82.0	0.2650
LCRI, LCRN 10/10	618	968	220	150	-	68.0	94.0	0.2650
LCRI, LCRN 10/12	678	1028	220	150	-	70.0	96.0	0.2650
LCRI, LCRN 10/14	770	1180	262	177	300	92.0	121.0	0.2996
LCRI, LCRN 10/16	830	1240	262	177	300	94.0	128.0	0.3458
LCRI, LCRN 10/18	890	1300	262	177	300	99.0	133.0	0.3458
LCRI, LCRN 10/20	950	1360	262	177	300	101.0	135.0	0.3458
LCRI, LCRN 10/22	1010	1420	262	177	300	104.0	138.0	0.3458

Performance Curves

Vertical multistage centrifugal pumps

LCRI, LCRN 10

