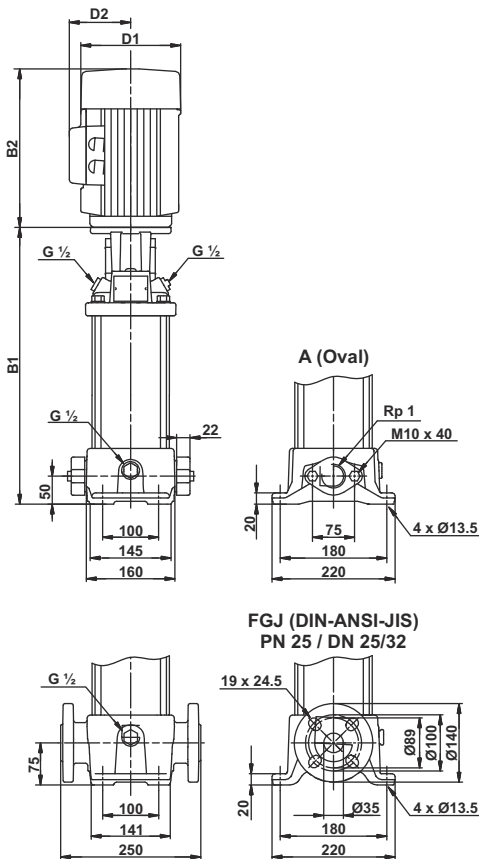


Technical Data

Vertical multistage centrifugal pumps

LCR 1s

Performance Chart



Pump Type	H.P.	kW	Q l/min m ³ /h	n = 2900 rpm					
				8.3	10.0	11.7	13.3	15.0	16.7
				0.5	0.6	0.7	0.8	0.9	1.0
LCR 1s/2	0.50	0.37	H mts.	12	12	10	10	9	8
LCR 1s/3	0.50	0.37		17	16	15	14	13	12
LCR 1s/4	0.50	0.37		22	21	19	18	17	15
LCR 1s/5	0.50	0.37		27	26	25	23	21	19
LCR 1s/6	0.50	0.37		33	31	29	27	25	22
LCR 1s/7	0.50	0.37		38	36	34	31	29	26
LCR 1s/8	0.50	0.37		43	40	38	35	32	29
LCR 1s/9	0.50	0.37		48	46	42	40	36	33
LCR 1s/10	0.50	0.37		53	50	47	44	40	36
LCR 1s/11	0.50	0.37		58	56	52	48	44	39
LCR 1s/12	0.50	0.37		63	59	56	52	47	42
LCR 1s/13	0.50	0.37		68	64	60	56	51	46
LCR 1s/15	0.75	0.55		79	74	70	65	59	53
LCR 1s/17	0.75	0.55		88	83	78	72	66	59
LCR 1s/19	0.75	0.55		98	93	87	81	74	66
LCR 1s/21	1.00	0.75		110	104	98	91	83	75
LCR 1s/23	1.00	0.75		120	114	106	99	90	82
LCR 1s/25	1.00	0.75		130	122	115	106	97	87
LCR 1s/27	1.50	1.10		142	134	126	117	106	96
LCR 1s/30	1.50	1.10		157	149	140	130	118	106
LCR 1s/33	1.50	1.10		172	163	153	142	129	116
LCR 1s/36	1.50	1.10		187	176	165	153	140	125

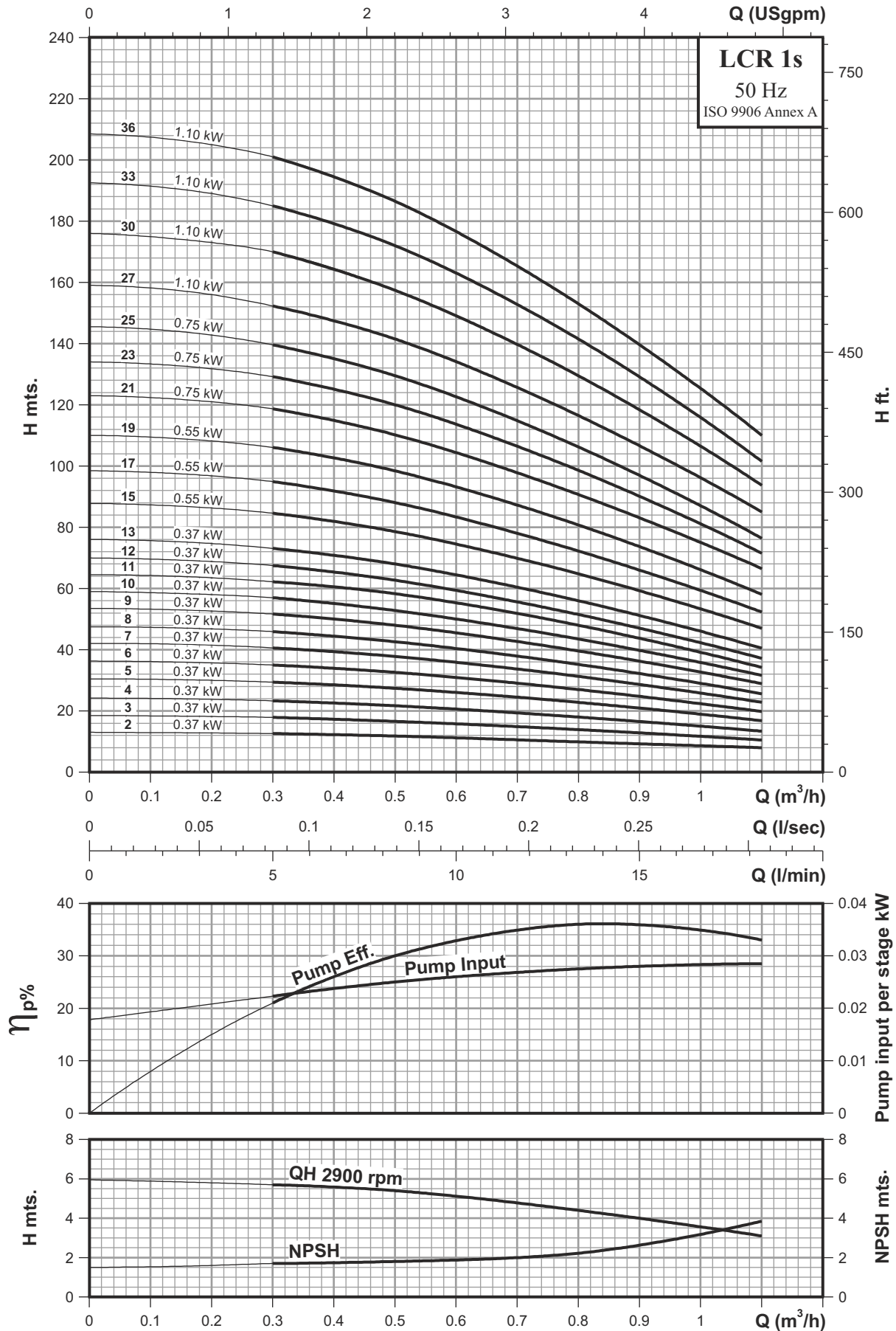
Dimensions & Weights of LCR Pump

Pump type	Dimensions [mm]						Net weight [kg]		Gross weight [kg]		Gross volume [m ³]
	Oval flange		DIN flange		D1	D2	Oval flange	DIN flange	Oval flange	DIN flange	
	B1	B1+B2	B1	B1+B2							
LCR 1s/2	236	449	261	474	143	106	18.0	23.0	28.0	33.0	0.1030
LCR 1s/3	254	467	279	492	143	106	18.0	23.0	28.0	33.0	0.1030
LCR 1s/4	272	485	297	510	143	106	19.0	23.0	29.0	33.0	0.1030
LCR 1s/5	290	503	315	528	143	106	19.0	24.0	29.0	34.0	0.1030
LCR 1s/6	308	521	333	546	143	106	19.0	24.0	29.0	34.0	0.1030
LCR 1s/7	326	539	351	564	143	106	20.0	24.0	30.0	34.0	0.1030
LCR 1s/8	344	557	369	582	143	106	20.0	25.0	34.0	39.0	0.1428
LCR 1s/9	362	575	387	600	143	106	21.0	25.0	35.0	39.0	0.1428
LCR 1s/10	380	593	405	618	143	106	21.0	26.0	35.0	40.0	0.1428
LCR 1s/11	398	611	423	636	143	106	21.0	26.0	35.0	40.0	0.1428
LCR 1s/12	416	629	441	654	143	106	22.0	26.0	36.0	40.0	0.1428
LCR 1s/13	434	647	459	672	143	106	22.0	27.0	36.0	41.0	0.1428
LCR 1s/15	470	683	495	708	143	106	24.0	28.0	38.0	42.0	0.1428
LCR 1s/17	506	719	531	744	143	106	25.0	29.0	39.0	43.0	0.1428
LCR 1s/19	542	755	567	780	143	106	25.0	30.0	43.0	48.0	0.1825
LCR 1s/21	584	848	609	873	160	113	28.0	32.0	46.0	50.0	0.1825
LCR 1s/23	620	884	645	909	160	113	29.0	33.0	47.0	51.0	0.1825
LCR 1s/25	656	920	681	945	160	113	29.0	34.0	47.0	52.0	0.1825
LCR 1s/27	692	956	717	981	160	113	32.0	37.0	50.0	55.0	0.1825
LCR 1s/30	-	-	771	1035	160	113	-	38.0	-	58.0	0.2064
LCR 1s/33	-	-	825	1089	160	113	-	39.0	-	59.0	0.2064
LCR 1s/36	-	-	879	1143	160	113	-	41.0	-	61.0	0.2064

Performance Curves

Vertical multistage centrifugal pumps

LCR 1s

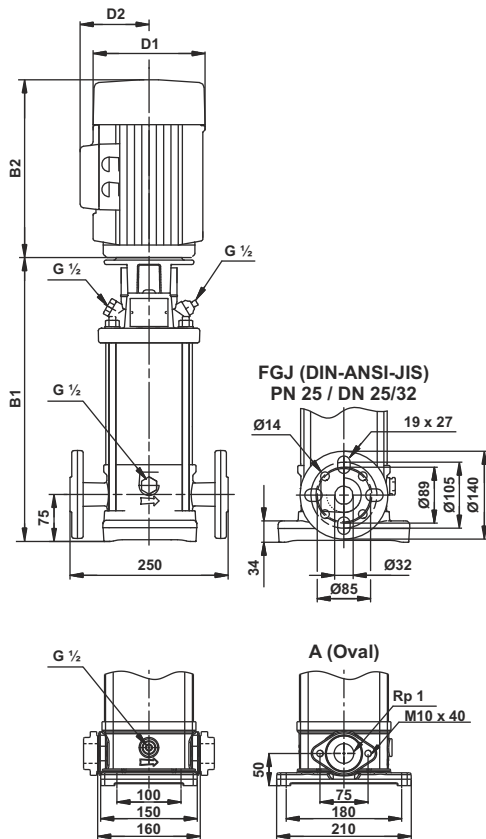


Technical Data

Vertical multistage centrifugal pumps

LCRI, LCRN 1s

Performance Chart



Pump Type	H.P.	kW	Q l/min m ³ /h	n = 2900 rpm					
				8.3	10.0	11.7	13.3	15.0	16.7
				0.5	0.6	0.7	0.8	0.9	1.0
LCRI, LCRN 1s/2	0.50	0.37	H mts.	12	12	10	10	9	8
LCRI, LCRN 1s/3	0.50	0.37		17	16	15	14	13	12
LCRI, LCRN 1s/4	0.50	0.37		22	21	19	18	17	15
LCRI, LCRN 1s/5	0.50	0.37		27	26	25	23	21	19
LCRI, LCRN 1s/6	0.50	0.37		33	31	29	27	25	22
LCRI, LCRN 1s/7	0.50	0.37		38	36	34	31	29	26
LCRI, LCRN 1s/8	0.50	0.37		43	40	38	35	32	29
LCRI, LCRN 1s/9	0.50	0.37		48	46	42	40	36	33
LCRI, LCRN 1s/10	0.50	0.37		53	50	47	44	40	36
LCRI, LCRN 1s/11	0.50	0.37		58	56	52	48	44	39
LCRI, LCRN 1s/12	0.50	0.37		63	59	56	52	47	42
LCRI, LCRN 1s/13	0.50	0.37		68	64	60	56	51	46
LCRI, LCRN 1s/15	0.75	0.55		79	74	70	65	59	53
LCRI, LCRN 1s/17	0.75	0.55		88	83	78	72	66	59
LCRI, LCRN 1s/19	0.75	0.55		98	93	87	81	74	66
LCRI, LCRN 1s/21	1.00	0.75		110	104	98	91	83	75
LCRI, LCRN 1s/23	1.00	0.75		120	114	106	99	90	82
LCRI, LCRN 1s/25	1.00	0.75		130	122	115	106	97	87
LCRI, LCRN 1s/27	1.50	1.10		142	134	126	117	106	96
LCRI, LCRN 1s/30	1.50	1.10		157	149	140	130	118	106
LCRI, LCRN 1s/33	1.50	1.10		172	163	153	142	129	116
LCRI, LCRN 1s/36	1.50	1.10		187	176	165	153	140	125

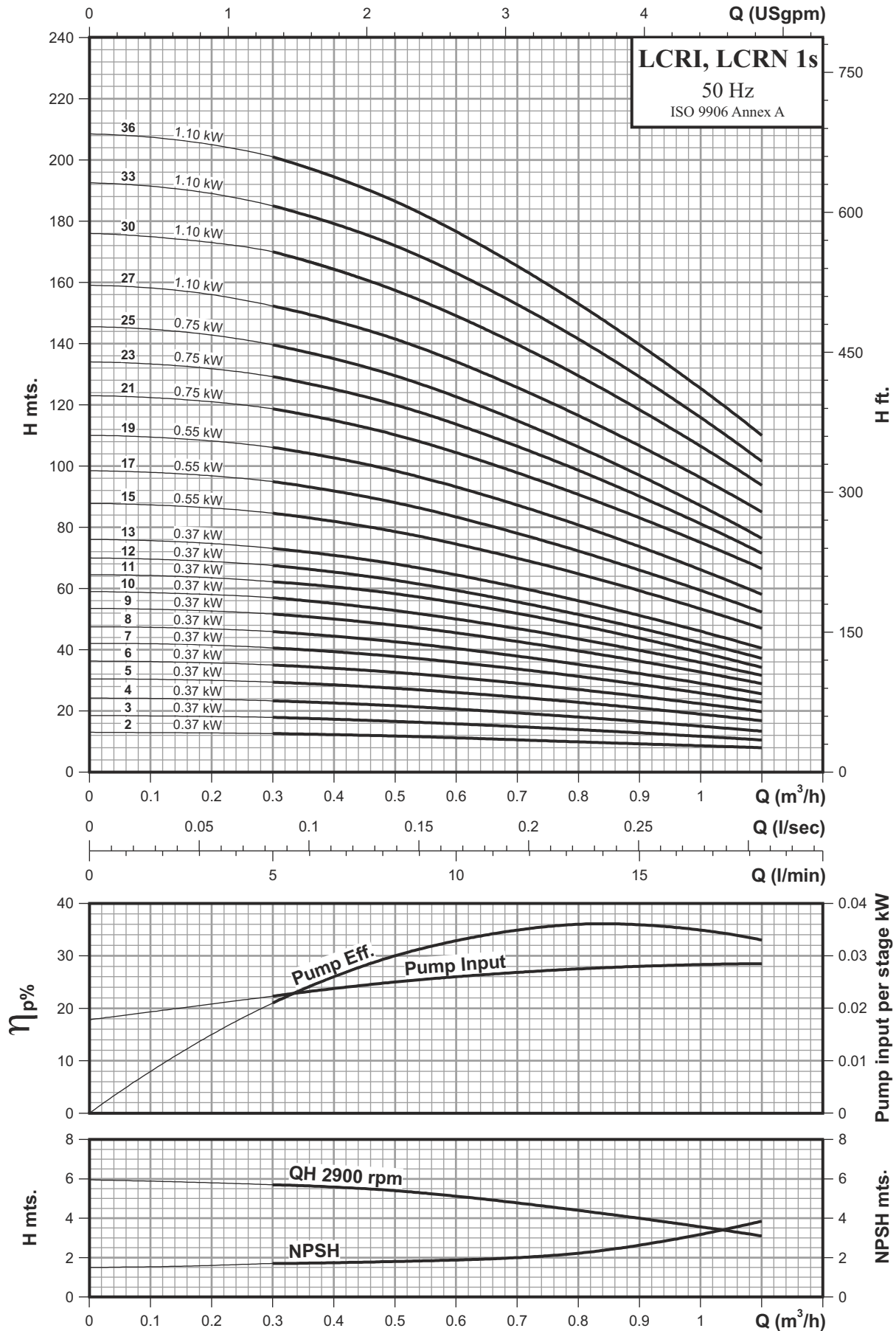
Dimensions & Weights of LCRI, LCRN Pump

Pump type	Dimensions [mm]						Net weight [kg]	Gross weight [kg]	Gross volume [m ³]
	Oval flange		DIN flange		D1	D2			
	B1	B1+B2	B1	B1+B2					
LCRI, LCRN 1s/2	239	452	264	477	143	106	20.0	30.0	0.1030
LCRI, LCRN 1s/3	257	470	282	495	143	106	21.0	31.0	0.1030
LCRI, LCRN 1s/4	275	488	300	513	143	106	21.0	31.0	0.1030
LCRI, LCRN 1s/5	293	506	318	531	143	106	21.0	31.0	0.1030
LCRI, LCRN 1s/6	311	524	336	549	143	106	22.0	32.0	0.1030
LCRI, LCRN 1s/7	329	542	354	567	143	106	22.0	32.0	0.1030
LCRI, LCRN 1s/8	347	560	372	585	143	106	23.0	37.0	0.1428
LCRI, LCRN 1s/9	365	578	390	603	143	106	23.0	37.0	0.1428
LCRI, LCRN 1s/10	383	596	408	621	143	106	23.0	37.0	0.1428
LCRI, LCRN 1s/11	401	614	426	639	143	106	24.0	38.0	0.1428
LCRI, LCRN 1s/12	419	632	444	657	143	106	24.0	38.0	0.1428
LCRI, LCRN 1s/13	437	650	462	675	143	106	25.0	39.0	0.1428
LCRI, LCRN 1s/15	473	686	498	711	143	106	26.0	40.0	0.1428
LCRI, LCRN 1s/17	509	722	534	747	143	106	27.0	41.0	0.1428
LCRI, LCRN 1s/19	545	758	570	783	143	106	28.0	46.0	0.1825
LCRI, LCRN 1s/21	587	851	612	876	160	113	31.0	49.0	0.1825
LCRI, LCRN 1s/23	623	887	648	912	160	113	31.0	49.0	0.1825
LCRI, LCRN 1s/25	659	923	684	948	160	113	32.0	50.0	0.1825
LCRI, LCRN 1s/27	695	959	720	984	160	113	35.0	53.0	0.1825
LCRI, LCRN 1s/30	749	1013	774	1038	160	113	36.0	56.0	0.2064
LCRI, LCRN 1s/33	803	1067	828	1092	160	113	37.0	57.0	0.2064
LCRI, LCRN 1s/36	857	1121	882	1146	160	113	39.0	59.0	0.2064

Performance Curves

Vertical multistage centrifugal pumps

LCRI, LCRN 1s

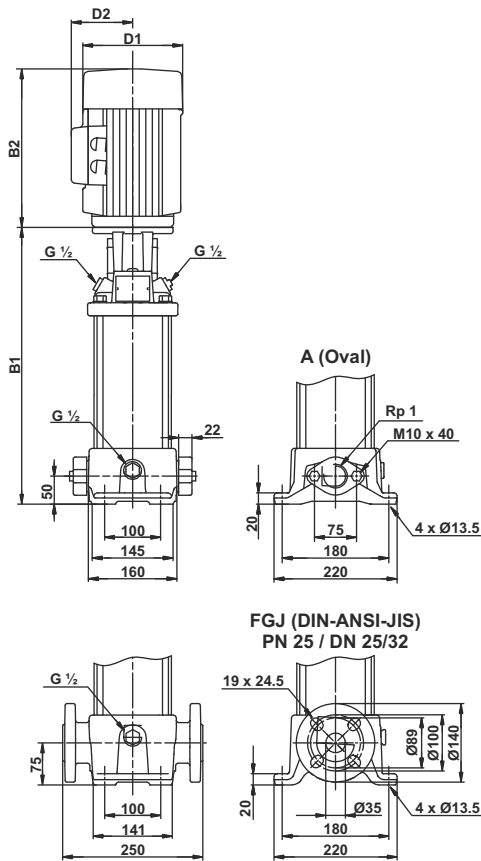


Technical Data

LCR 1

Vertical multistage centrifugal pumps

Performance Chart



Pump Type	H.P.	kW	Q l/min m³/h	n = 2900 rpm					
				16.7	23.3	26.7	30.0	33.3	36.7
				1.0	1.4	1.6	1.8	2.0	2.2
LCR 1/2	0.50	0.37	H mts.	12	11	11	10	9	9
LCR 1/3	0.50	0.37		18	17	16	15	13	12
LCR 1/4	0.50	0.37		24	22	21	19	17	15
LCR 1/5	0.50	0.37		30	27	26	24	22	19
LCR 1/6	0.50	0.37		35	33	31	29	26	23
LCR 1/7	0.50	0.37		41	38	36	33	30	26
LCR 1/8	0.75	0.55		47	44	41	38	34	30
LCR 1/9	0.75	0.55		53	49	46	43	38	34
LCR 1/10	0.75	0.55		58	54	50	47	42	36
LCR 1/11	0.75	0.55		63	59	55	51	46	40
LCR 1/12	1.00	0.75		69	64	60	56	50	44
LCR 1/13	1.00	0.75		75	70	65	60	54	47
LCR 1/15	1.00	0.75		86	80	75	70	62	54
LCR 1/17	1.50	1.10		99	91	86	80	71	62
LCR 1/19	1.50	1.10		111	102	95	89	79	69
LCR 1/21	1.50	1.10		120	111	104	97	86	75
LCR 1/23	1.50	1.10		131	120	112	104	92	80
LCR 1/25	2.00	1.50		147	136	128	119	106	93
LCR 1/27	2.00	1.50		159	148	138	129	115	101
LCR 1/30	2.00	1.50		175	163	152	142	127	111
LCR 1/33	3.00	2.20		194	180	169	157	141	124
LCR 1/36	3.00	2.20		212	197	185	173	155	136

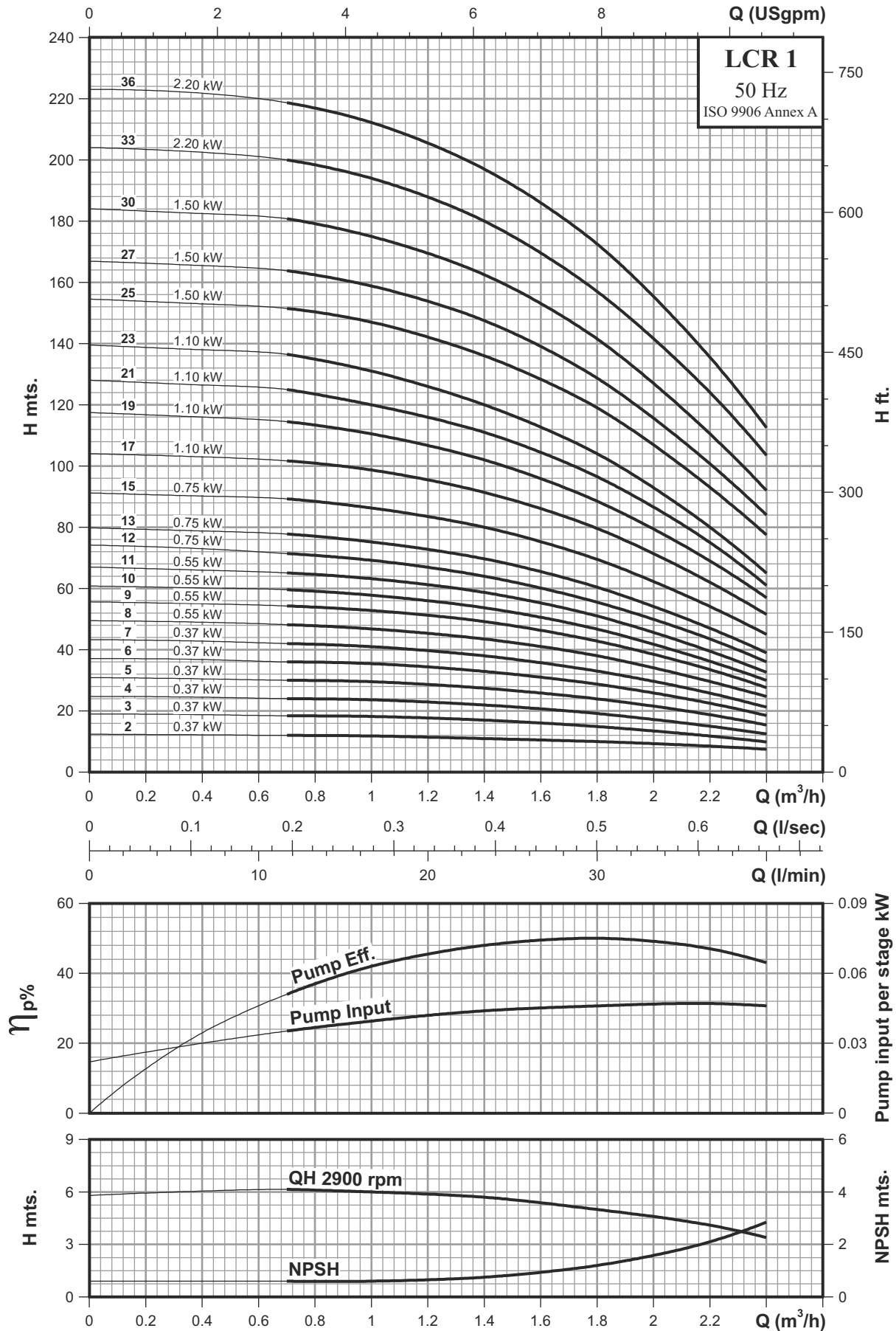
Dimensions & Weights of LCR Pump

Pump type	Dimensions [mm]						Net weight [kg]		Gross weight [kg]		Gross volume [m³]
	Oval flange		DIN flange		D1	D2	Oval flange	DIN flange	Oval flange	DIN flange	
	B1	B1+B2	B1	B1+B2							
LCR 1/2	236	449	261	474	143	106	18.0	23.0	28.0	33.0	0.1030
LCR 1/3	254	467	279	492	143	106	18.0	23.0	28.0	33.0	0.1030
LCR 1/4	272	485	297	510	143	106	19.0	23.0	29.0	33.0	0.1030
LCR 1/5	290	503	315	528	143	106	19.0	24.0	29.0	34.0	0.1030
LCR 1/6	308	521	333	546	143	106	20.0	24.0	30.0	34.0	0.1030
LCR 1/7	326	539	351	564	143	106	20.0	25.0	30.0	35.0	0.1030
LCR 1/8	344	557	369	582	143	106	21.0	26.0	35.0	40.0	0.1428
LCR 1/9	362	575	387	600	143	106	21.0	26.0	35.0	40.0	0.1428
LCR 1/10	380	593	405	618	143	106	22.0	26.0	36.0	40.0	0.1428
LCR 1/11	398	611	423	636	143	106	22.0	27.0	36.0	41.0	0.1428
LCR 1/12	422	686	447	711	160	113	24.0	29.0	38.0	43.0	0.1428
LCR 1/13	440	704	465	729	160	113	25.0	29.0	39.0	43.0	0.1428
LCR 1/15	476	740	501	765	160	113	26.0	30.0	40.0	44.0	0.1428
LCR 1/17	512	776	537	801	160	113	29.0	33.0	43.0	47.0	0.1428
LCR 1/19	548	812	573	837	160	113	29.0	34.0	47.0	52.0	0.1825
LCR 1/21	584	848	609	873	160	113	30.0	35.0	48.0	53.0	0.1825
LCR 1/23	620	884	645	909	160	113	31.0	36.0	49.0	54.0	0.1825
LCR 1/25	-	-	697	975	165	130	-	44.0	-	62.0	0.1825
LCR 1/27	-	-	733	1011	165	130	-	44.0	-	62.0	0.1825
LCR 1/30	-	-	787	1065	165	130	-	46.0	-	66.0	0.2064
LCR 1/33	-	-	841	1119	165	130	-	47.0	-	67.0	0.2064
LCR 1/36	-	-	895	1173	165	130	-	49.0	-	69.0	0.2064

Performance Curves

Vertical multistage centrifugal pumps

LCR 1

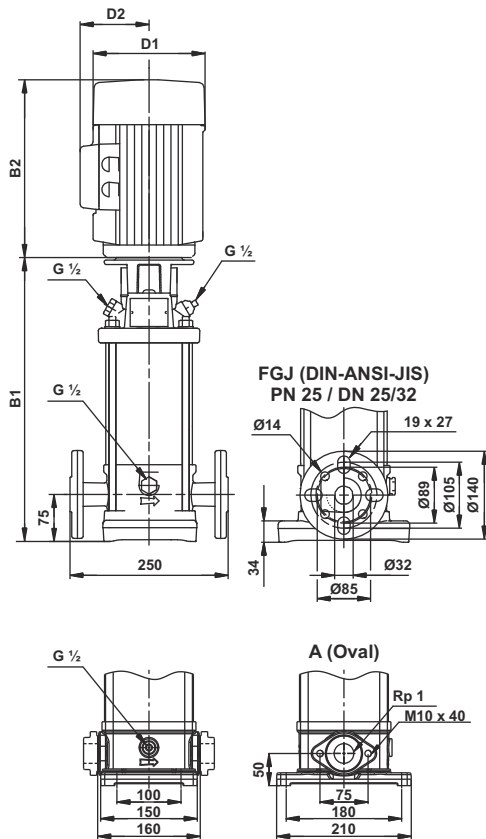


Technical Data

Vertical multistage centrifugal pumps

LCRI, LCRN 1

Performance Chart



Pump Type	H.P.	kW	Q	n = 2900 rpm						
				l/min	16.7	23.3	26.7	30.0	33.3	36.7
				m ³ /h	1.0	1.4	1.6	1.8	2.0	2.2
LCRI, LCRN 1/2	0.50	0.37	H mts.	12	11	11	10	9	9	
LCRI, LCRN 1/3	0.50	0.37		18	17	16	15	13	12	
LCRI, LCRN 1/4	0.50	0.37		24	22	21	19	17	15	
LCRI, LCRN 1/5	0.50	0.37		30	27	26	24	22	19	
LCRI, LCRN 1/6	0.50	0.37		35	33	31	29	26	23	
LCRI, LCRN 1/7	0.50	0.37		41	38	36	33	30	26	
LCRI, LCRN 1/8	0.75	0.55		47	44	41	38	34	30	
LCRI, LCRN 1/9	0.75	0.55		53	49	46	43	38	34	
LCRI, LCRN 1/10	0.75	0.55		58	54	50	47	42	36	
LCRI, LCRN 1/11	0.75	0.55		63	59	55	51	46	40	
LCRI, LCRN 1/12	1.00	0.75		69	64	60	56	50	44	
LCRI, LCRN 1/13	1.00	0.75		75	70	65	60	54	47	
LCRI, LCRN 1/15	1.00	0.75		86	80	75	70	62	54	
LCRI, LCRN 1/17	1.50	1.10		99	91	86	80	71	62	
LCRI, LCRN 1/19	1.50	1.10		111	102	95	89	79	69	
LCRI, LCRN 1/21	1.50	1.10		120	111	104	97	86	75	
LCRI, LCRN 1/23	1.50	1.10		131	120	112	104	92	80	
LCRI, LCRN 1/25	2.00	1.50		147	136	128	119	106	93	
LCRI, LCRN 1/27	2.00	1.50		159	148	138	129	115	101	
LCRI, LCRN 1/30	2.00	1.50		175	163	152	142	127	111	
LCRI, LCRN 1/33	3.00	2.20		194	180	169	157	141	124	
LCRI, LCRN 1/36	3.00	2.20		212	197	185	173	155	136	

Dimensions & Weights of LCRI, LCRN Pump

Pump type	Dimensions [mm]						Net weight [kg]	Gross weight [kg]	Gross volume [m ³]
	Oval flange		DIN flange		D1	D2			
	B1	B1+B2	B1	B1+B2					
LCRI, LCRN 1/2	239	452	264	477	143	106	20.0	30.0	0.1030
LCRI, LCRN 1/3	257	470	282	495	143	106	21.0	31.0	0.1030
LCRI, LCRN 1/4	275	488	300	513	143	106	21.0	31.0	0.1030
LCRI, LCRN 1/5	293	506	318	531	143	106	21.0	31.0	0.1030
LCRI, LCRN 1/6	311	524	336	549	143	106	22.0	32.0	0.1030
LCRI, LCRN 1/7	329	542	354	567	143	106	22.0	32.0	0.1030
LCRI, LCRN 1/8	347	560	372	585	143	106	23.0	37.0	0.1428
LCRI, LCRN 1/9	365	578	390	603	143	106	24.0	38.0	0.1428
LCRI, LCRN 1/10	383	596	408	621	143	106	24.0	38.0	0.1428
LCRI, LCRN 1/11	401	614	426	639	143	106	24.0	38.0	0.1428
LCRI, LCRN 1/12	425	689	450	714	160	113	27.0	41.0	0.1428
LCRI, LCRN 1/13	443	707	468	732	160	113	28.0	42.0	0.1428
LCRI, LCRN 1/15	479	743	504	768	160	113	28.0	42.0	0.1428
LCRI, LCRN 1/17	515	779	540	804	160	113	31.0	45.0	0.1428
LCRI, LCRN 1/19	551	815	576	840	160	113	32.0	50.0	0.1825
LCRI, LCRN 1/21	587	851	612	876	160	113	33.0	51.0	0.1825
LCRI, LCRN 1/23	623	887	648	912	160	113	34.0	52.0	0.1825
LCRI, LCRN 1/25	675	953	700	978	165	130	41.0	59.0	0.1825
LCRI, LCRN 1/27	711	989	736	1014	165	130	42.0	60.0	0.1825
LCRI, LCRN 1/30	765	1043	790	1068	165	130	43.0	63.0	0.2064
LCRI, LCRN 1/33	819	1097	844	1122	165	130	45.0	65.0	0.2064
LCRI, LCRN 1/36	873	1151	898	1176	165	130	46.0	66.0	0.2064

Performance Curves

Vertical multistage centrifugal pumps

LCRI, LCRN 1

